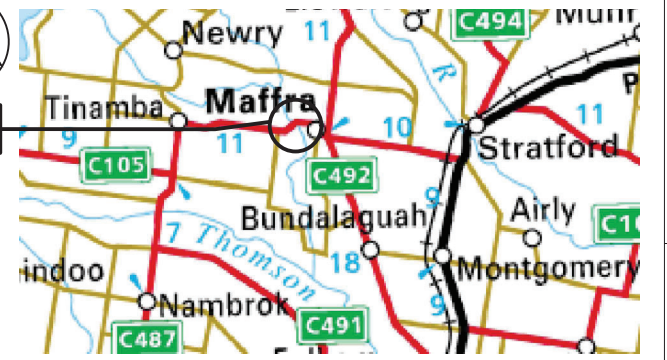


MAFFRA WEIR - FISHWAY



LOCALITY PLAN
N.T.S.

(MAPS REPRODUCED FROM MELWAY EDITION 2014 WITH PERMISSION OF MELWAY PUBLISHING LTD)

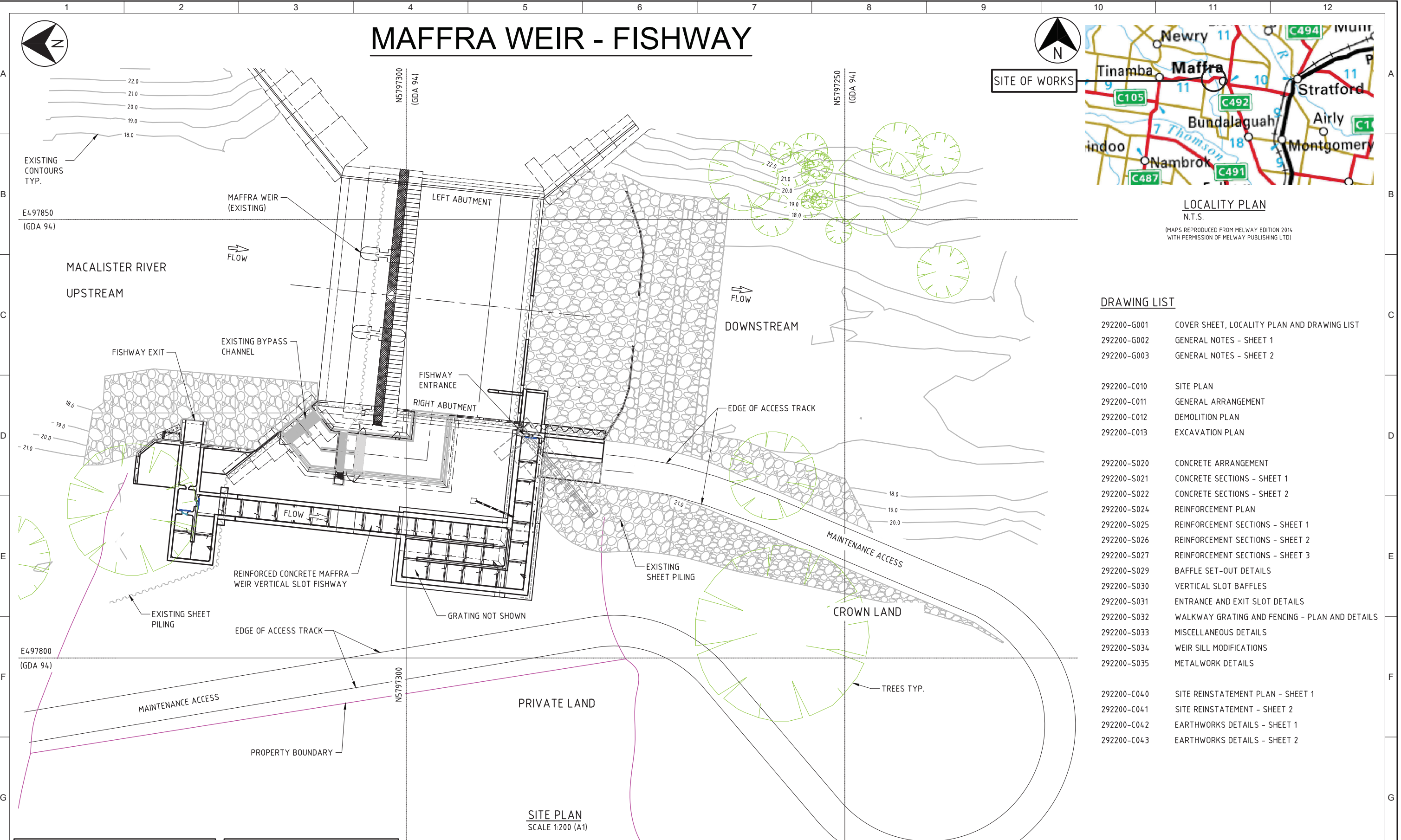
DRAWING LIST

- 292200-G001 COVER SHEET, LOCALITY PLAN AND DRAWING LIST
- 292200-G002 GENERAL NOTES - SHEET 1
- 292200-G003 GENERAL NOTES - SHEET 2

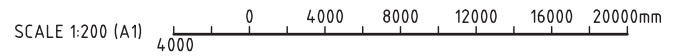
- 292200-C010 SITE PLAN
- 292200-C011 GENERAL ARRANGEMENT
- 292200-C012 DEMOLITION PLAN
- 292200-C013 EXCAVATION PLAN

- 292200-S020 CONCRETE ARRANGEMENT
- 292200-S021 CONCRETE SECTIONS - SHEET 1
- 292200-S022 CONCRETE SECTIONS - SHEET 2
- 292200-S024 REINFORCEMENT PLAN
- 292200-S025 REINFORCEMENT SECTIONS - SHEET 1
- 292200-S026 REINFORCEMENT SECTIONS - SHEET 2
- 292200-S027 REINFORCEMENT SECTIONS - SHEET 3
- 292200-S029 BAFFLE SET-OUT DETAILS
- 292200-S030 VERTICAL SLOT BAFFLES
- 292200-S031 ENTRANCE AND EXIT SLOT DETAILS
- 292200-S032 WALKWAY GRATING AND FENCING - PLAN AND DETAILS
- 292200-S033 MISCELLANEOUS DETAILS
- 292200-S034 WEIR SILL MODIFICATIONS
- 292200-S035 METALWORK DETAILS

- 292200-C040 SITE REINSTATEMENT PLAN - SHEET 1
- 292200-C041 SITE REINSTATEMENT - SHEET 2
- 292200-C042 EARTHWORKS DETAILS - SHEET 1
- 292200-C043 EARTHWORKS DETAILS - SHEET 2



SITE PLAN
SCALE 1:200 (A1)



ISSUED FOR CONSTRUCTION

WARNING
BEWARE OF UNDERGROUND SERVICES
THE LOCATION OF UNDERGROUND SERVICES ARE APPROXIMATE ONLY AND THEIR EXACT POSITION SHOULD BE PROVEN ON SITE. NO GUARANTEE IS GIVEN THAT ALL EXISTING SERVICES ARE SHOWN.

WARNING
BEWARE OF OVERHEAD CABLES
OVERHEAD POWERLINES AND COMMUNICATION CABLES IN THE VICINITY



THIS DOCUMENT IS THE PROPERTY OF SOUTHERN RURAL WATER. USE OR COPYING OF THE DOCUMENT IN WHOLE OR IN PART WITHOUT THE WRITTEN PERMISSION OF SOUTHERN RURAL WATER CONSTITUTES AN INFRINGEMENT OF COPYRIGHT.



Jacobs
ABN 37 001 024 095 and ACN 001 024 095
Jacobs Group (Australia) Pty Ltd
11th Floor, 452 Flinders Street
MELBOURNE, VIC 3000
AUSTRALIA
Tel: +61 3 9668 3000
Fax: +61 3 9668 3001
Web: www.jacobs.com
JACOBS PROJECT NUMBER IA292200

CLIENT SOUTHERN RURAL WATER		DRAWING CHECK T. GIBELINI		REVIEWED D. MEEHAN	APPROVED N. KELLEHER
PROJECT MAFFRA WEIR FISHWAY		DESIGNED N. PAYNTER	DESIGN REVIEW S. SLARKE	DATE 09/09/24	DATE 09/09/24

TITLE MAFFRA WEIR FISHWAY COVER SHEET, LOCALITY PLAN AND DRAWING LIST		
PROJECT NUMBER IA292200	SOUTH GIPPSLAND WATER DRAWING NUMBER 292200-G001	REV 0
SCALE AS SHOWN		

REV	DATE	DRN	TG	NP	SS	DM	NK	ISSUED FOR CONSTRUCTION
0	09/09/24	GN	TG	NP	SS	DM	NK	ISSUED FOR CONSTRUCTION

DATE: 09/09/2024 5:01:16 PM LOGIN NAME: GIBELINI, TONY LOCATION: C:\user\gibelin\appdata\local\project\maffra_weir\292200-0000-SC-DRG-0001.dwg

GENERAL NOTES

- G1 THESE NOTES APPLY TO ALL DRAWINGS AND SHOULD BE READ IN CONJUNCTION WITH THE CONTRACT DOCUMENTS AND SPECIFICATIONS. SPECIFIC NOTES ON DETAILED DRAWINGS TAKE PRECEDENCE OVER THESE NOTES. THESE NOTES TAKE PRECEDENCE OVER THE SPECIFICATIONS. ANY INCONSISTENCIES BETWEEN NOTES, DRAWINGS AND SPECIFICATIONS TO BE CLARIFIED WITH THE SUPERINTENDENT.
G2 "UNO" DENOTES UNLESS NOTED OTHERWISE.
G3 DO NOT SCALE DIMENSIONS FROM DRAWINGS.
G4 UNLESS NOTED OTHERWISE: ALL DIMENSIONS ARE IN MILLIMETRES (mm). ALL LEVELS ARE IN METRES TO AUSTRALIAN HEIGHT DATUM (AHD). ALL CO-ORDINATES ARE TO GDA 94 MGA 55.
G5 VERIFY ON SITE SETTING OUT DIMENSIONS AND EXISTING MEMBER SIZES SHOWN ON DRAWINGS BEFORE SHOP DRAWINGS, CONSTRUCTION AND FABRICATION IS COMMENCED.
G6 TAKE PRECAUTIONS TO ESTABLISH LOCATION OF AND PROTECT EXISTING SERVICES AT SITE. SERVICES SHOWN ON DRAWINGS ARE IN APPROXIMATE LOCATIONS ONLY. SERVICES OTHER THAN THOSE SHOWN MAY EXIST ON SITE. HAND EXCAVATE WITHIN ONE METRE OF SERVICES.
G7 STRUCTURAL WORK HAS BEEN DESIGNED FOR THE FOLLOWING DESIGN PARAMETERS.
- SOIL LOADS: 19 kN/CU.M
- DEAD LOADS: TO AS/NZS1170.1
- DESIGN LIFE: 100 YEARS FOR CONCRETE STRUCTURES
- SOIL SURCHARGE LOADING:
10 kPa ON ALL FISHWAY WALLS.
5 kPa FOR TRAINING WALL.
G8 ALL PROPRIETARY PRODUCTS TO BE INSTALLED STRICTLY IN ACCORDANCE WITH MANUFACTURERS SPECIFICATIONS.

ENVIRONMENTAL MANAGEMENT PLAN

EMP1. THE CONTRACTOR SHALL CARRY OUT ALL WORKS IN ACCORDANCE WITH THE ENVIRONMENT MANAGEMENT PLAN.

SITE PREPARATION

- SP1. THE CONTRACTOR SHALL NOT UNDERTAKE ANY CLEARING WORK OR ANY TYPE OF DISTURBANCE OUTSIDE THE SPECIFIED LIMITS OF WORK UNLESS APPROVED BY THE SUPERINTENDENT.
SP2. PRIOR TO COMMENCEMENT OF ANY WORK, THE CONTRACTOR AND THE SUPERINTENDENT SHALL CONDUCT A JOINT INSPECTION OF THE SITE TO IDENTIFY AREAS TO BE CLEARED AND VEGETATION TO BE RETAINED AND PROTECTED.

FOUNDATION EARTHWORKS

- FE1. REMOVE TOP SOIL CONTAINING GRASS ROOTS OR OTHER ORGANIC MATTER AND PUT ASIDE FOR REUSE.
FE2. FOUNDATION TO BE EXCAVATED TO THE REQUIRED LEVEL WITH A MINIMUM OF TRAFFICKING OR DISTURBANCE OF THE UNDERLYING MATERIAL.
FE3. STRUCTURES HAVE BEEN DESIGNED FOR THE FOLLOWING ALLOWABLE BEARING PRESSURES:
-FISHWAY 120 kPa
-TRAINING WALL 120 kPa
FE4. OBTAIN APPROVAL FROM SUPERINTENDENT THAT FOUNDATION IS ACCEPTABLE FOR CONSTRUCTION BEFORE COMMENCING CONCRETE WORKS.

CONCRETE

- C1 CONCRETE SHALL BE IN ACCORDANCE WITH AS 3600 CONCRETE STRUCTURES, AND AS 5100.5 FOR DURABILITY REQUIREMENTS ONLY.
C2 EXPOSURE CLASSIFICATION FOR DURABILITY IS B2.
C3 CONCRETE TO BE AS FOLLOWS:

Table with 3 columns: STRUCTURAL ELEMENT, BLINDING, FOOTINGS, SLABS AND WALLS. Rows include STRENGTH GRADE (MPa) and CEMENT TYPE.

- C4 MINIMUM 15mm CHAMFERS ARE REQUIRED ON ALL EXPOSED CONCRETE EDGES AND CORNERS.
C5 THE USE OF CONCRETE ADMIXTURES WHERE REQUIRED SHALL BE SUBJECT TO THE APPROVAL OF THE SUPERINTENDENT AND SHALL CONFORM TO AS 1478.1.
C6 THE COVER (OR "CLEAR COVER") AS STATED ON THE DRAWINGS, SHALL BE THE CLEAR DISTANCE FROM THE FACE OF ANY REINFORCEMENT, WIRE TIES FOR FIXING REINFORCEMENT, FORMWORK FIXINGS OR SIMILAR METAL WORK TO THE NEAREST CONCRETE SURFACE.
C7 COVER TO BE AS FOLLOWS, UNLESS NOTED OTHERWISE:

Table with 2 columns: SUBSTRATE, MINIMUM COVER (mm). Rows include CAST AGAINST FORMS, CAST AGAINST BLINDING LAYER, and CAST AGAINST GROUND.

- C8 ALL CONCRETE INTERFACES SHALL BE ROUGHENED TO 5mm AMPLITUDE TO ENSURE SATISFACTORY BOND BETWEEN DIFFERENT POUR OF INSITU CONCRETE.
C9 DEFINITIONS:
CJ CONSTRUCTION JOINT
IJ ISOLATION JOINT
DCJ DOWELLED CONTRACTION JOINT
C10 MAXIMUM CONCRETE POUR DROP HEIGHTS SHALL NOT EXCEED 2m. DETAILS OF CONSTRUCTION JOINTS OR POUR BREAKS WHERE NOT SHOWN ON THE DRAWINGS SHALL BE SUBMITTED TO THE SUPERINTENDENT AT LEAST 14 DAYS BEFORE CASTING CONCRETE.
C11. CONCRETE AGAINST WHICH NEW CONCRETE IS TO BE PLACED SHALL BE INTENTIONALLY ROUGHENED TO EXPOSE THE INBOUND COARSE AGGREGATE TO ENSURE SATISFACTORY BOND BETWEEN ADJACENT CONCRETE SURFACES UNLESS NOTED OTHERWISE. ALL CONCRETE SURFACES SHALL BE CLEAN AND FREE OF LAITANCE. THOROUGHLY MOISTEN THE ROUGHENED SURFACE IMMEDIATELY PRIOR TO PLACING CONCRETE.
C12. ALL CONSTRUCTION JOINTS SUBJECT TO HYDROSTATIC PRESSURE SHALL INCLUDE WATERSTOPS UNLESS OTHERWISE SHOWN ON THE DRAWINGS.
C13. THE FINISHED CONCRETE SHALL BE A DENSE HOMOGENEOUS MASS COMPLETELY FILLING THE FORMWORK THOROUGHLY EMBEDDING THE REINFORCEMENT AND FREE OF STONE POCKETS. ALL CONCRETE SHALL BE COMPACTED WITH MECHANICAL VIBRATORS.
C14. CONSTRUCTION SUPPORT PROPPING SHALL BE LEFT IN PLACE WHERE NEEDED TO AVOID OVERSTRESSING THE STRUCTURE DUE TO CONSTRUCTION LOADING.
C15. ALL CAST-IN ITEMS WHICH ARE NOT STAINLESS STEEL INCLUDING BOLTS AND DOWELS SHALL BE HOT DIP GALVANISED IN ACCORDANCE WITH THE SPECIFICATION.

REINFORCEMENT

- R1 REINFORCEMENT SHOWN ON THE DRAWINGS IS REPRESENTED DIAGRAMMATICALLY AND NOT NECESSARILY SHOWN IN TRUE PROJECTION.
R2 REINFORCING MESH IS TO BE LAPPED A MINIMUM OF TWO BARS AT ANY SPLICE.
R3 LAPPING OF REINFORCING BARS AND FABRIC TO BE IN ACCORDANCE WITH AS 3600. UNLESS OTHERWISE STATED ON THE DRAWINGS THE MINIMUM DEVELOPMENT AND SPLICE LENGTHS SHALL BE AS STATED IN THE TABLE BELOW:

Table with 3 columns: BAR SIZE & TYPE, HORIZ. BARS WITH MORE THAN 300 MM CONCRETE CAST BELOW, OTHER BARS. Rows include N12, N16, N20, N24, N28, N32.

-WHERE THE BAR SIZES AT A LAP VARY, THE LAP LENGTH SHALL BE BASED ON THE SIZE OF THE SMALLER BAR.

- R4 REINFORCEMENT SYMBOLS:
N GRADE D500N DEFORMED BAR.
RL & SL GRADE D500L DEFORMED FABRIC.
THE NUMBER FOLLOWING THESE SYMBOLS IS THE BAR DIAMETER IN MILLIMETRES.
R5 REINFORCEMENT NOTATIONS:
EF EACH FACE
EW EACH WAY
T TOP
B BOTTOM
CP CENTRALLY PLACED
R6 ALL REINFORCEMENT SHALL BE FIRMLY SUPPORTED ON EITHER PLASTIC CHAIRS OR CONCRETE CHAIRS AT NOT GREATER THAN 1000 CRS BOTH WAYS, BARS SHALL BE TIED AT ALTERNATIVE INTERSECTIONS.
R7 SUPPLY AND LAY FABRIC IN FLAT SHEETS. AT SPLICES, FABRIC SHALL BE LAPPED AS FOLLOWS:
R8. THE SUPPLIER SHALL PROVIDE (AUSTRALIAN CERTIFICATION AUTHORITY FOR REINFORCING STEEL LTD) CERTIFICATION OF COMPLIANCE WITH AS 4671 FOR ALL REINFORCEMENT.
R9. ALL REINFORCEMENT SHALL BE SECURELY TIED WITH TIES AND ALL TIE ENDS SHALL BE TURNED INTO THE MEMBER CLEAR OF THE COVER ZONE.
R10. ANY BAR CHAIR WHICH IS MADE OUT OF CONCRETE SHALL COMPLY WITH EVERY REQUIREMENT APPLICABLE TO THE CONCRETE ELEMENT INTO WHICH IT IS CAST.



MAXIMUM THREE SHEETS OF FABRIC TO BE LAPPED AT ANY SPLICE

SHEET PILING GENERAL

- SP1. THE CONTRACTOR SHALL SUPPLY AND INSTALL THE SPECIFIED SHEET PILE PROFILE IN THE DRAWINGS OR APPROVED EQUIVALENT.
SP2. ANY ALTERNATIVE SHEET PILE PROFILE PROPOSED BY THE CONTRACTOR SHALL BE SUBMITTED TO THE SUPERINTENDENT FOR APPROVAL.
SP3. THE DIMENSIONS OF THE STRUCTURE TO ACCOMMODATE THE SELECTED PILE PROFILE SHALL BE CONFIRMED PRIOR TO CONSTRUCTION.
SP4. INTERLOCK SEALS SHALL BE APPLIED AT ALL INTERLOCKS.
SP5. STEEL SHEET PILES SHALL BE HOT ROLLED SECTIONS MANUFACTURED IN ACCORDANCE WITH AS 3679.1

WARNING

BEWARE OF UNDERGROUND SERVICES THE LOCATION OF UNDERGROUND SERVICES ARE APPROXIMATE ONLY AND THEIR EXACT POSITION SHOULD BE PROVEN ON SITE. NO GUARANTEE IS GIVEN THAT ALL EXISTING SERVICES ARE SHOWN.



THIS DOCUMENT IS THE PROPERTY OF SOUTHERN RURAL WATER. USE OR COPYING OF THE DOCUMENT IN WHOLE OR IN PART WITHOUT THE WRITTEN PERMISSION OF SOUTHERN RURAL WATER CONSTITUTES AN INFRINGEMENT OF COPYRIGHT.



Jacobs logo and contact information: JACOBS PROJECT NUMBER IA292200

Client and Project information table: CLIENT SOUTHERN RURAL WATER, PROJECT MAFFRA WEIR FISHWAY, DRAWN G. NEWTON, DESIGNER N. PAYNTER, REVIEWED D. MEEHAN, APPROVED N. KELLEHER

Title and Drawing information table: TITLE MAFFRA WEIR FISHWAY GENERAL NOTES - SHEET 1, PROJECT NUMBER IA292200, SOUTH GIPPSLAND WATER DRAWING NUMBER 292200-G002, REV 0

ISSUED FOR CONSTRUCTION

MATERIAL SUPPLY AND EARTHWORKS

- M1. ALL MATERIALS SUPPLY AND EARTHWORKS SHALL BE IN ACCORDANCE WITH THE REQUIREMENTS OF THE SPECIFICATIONS.
- M2. NO MATERIAL SHALL BE PLACED AGAINST WALLS WITHIN 14 DAYS OF CASTING.

STRUCTURAL ALUMINIUM

- SA1. ALL ALUMINIUM TO BE IN ACCORDANCE WITH AS 1664.
- SA2. WELDING TO BE IN ACCORDANCE WITH AS 1665.
- SA3. REMOVE BURS AND SHARP CORNERS FROM ALL EDGES.
- SA4. ALL CONNECTIONS TO DISSIMILAR MATERIALS TO BE ELECTRICALLY ISOLATED USING A NEOPRENE SEPARATION LAYER.

STAINLESS STEEL

- ST1. STAINLESS STEEL STRUCTURAL COMPONENTS TO BE GRADE 316L.
- ST2. STAINLESS STEEL BOLTS AND ANCHORS SHALL BE GRADE 316. NUTS AND WASHERS SHALL BE GRADE 304 UNLESS STATED OTHERWISE.
- ST3. ALL STAINLESS STEEL MATING SURFACES AND THREADS SHALL BE COATED WITH 'LOCTITE 567' PRIOR TO ASSEMBLY.
- ST3. ALL DISSIMILAR METALS MUST BE SEPARATED WITH AN APPROVED SYNTHETIC INSULATION.
- ST4. ALL SS DOWELS SHALL BE SUPPORTED ON SS BAR CHAIRS DURING THE CONSTRUCTION.

SYMBOLS

← WALKWAY LOAD BAR DIRECTION

POLYETHYLENE BAFFLES

- PB1. UNLESS OTHERWISE NOTED, ALL POLYETHYLENE BAFFLE PLATES SHALL BE MADE OF HIGH-DENSITY POLYETHYLENE MATERIAL WITH MINIMUM THICKNESS OF 12mm.
- PB2. FABRICATION OF HDPE MATERIAL SHALL BE IN ACCORDANCE WITH THE MANUFACTURER'S RECOMMENDATIONS INCLUDING CUTTING, BENDING AND WELDING AS REQUIRED.

STRUCTURAL STEELWORK

- SS1. ALL WORKMANSHIP AND MATERIALS SHALL BE IN ACCORDANCE WITH AS4100, AS1554 AND THE SPECIFICATIONS.
- SS2. ROLLED STEEL SECTIONS SHALL BE GRADE 300 COMPLYING WITH AS3679 U.N.O.
- SS3. BOLTS AND NUTS SHALL BE TO AS1252 GRADE 8.8/S U.N.O. 8.8/S - REFERS TO HIGH STRENGTH BOLTS OF STRENGTH GRADE 8.8 TO AS 1252 TIGHTENED USING A STANDARD WRENCH TO A SNUG TIGHT CONDITION.
- SS4. SHS, RHS, AND CHS SHALL BE GRADE 350 AND COMPLY WITH AS1163, U.N.O.
- SS5. ALL BOLTS, NUTS, WASHERS AND COUPLERS SHALL BE HOT DIP GALVANISED.
- SS6. ALL WELDS TO BE 6mm CONTINUOUS FILLET WELDS FROM E49XX ELECTRODES OR EQUIVALENT U.N.O. ALL WELDS TO BE CATEGORY SP AND SHALL COMPLY WITH AS1554.
WELDS SHALL CONFORM TO AS 1554 AND WELDING ELECTRODES TO AS/NZS 4855:2007.
WELDING SHALL BE PERFORMED BY AN EXPERIENCED OPERATOR. THE INSPECTION/TESTING OF ALL WELDS SHALL BE CARRIED OUT BY QUALIFIED PERSONNEL IN ACCORDANCE WITH AS 2214 AND NOTES ON THE DRAWINGS.
- SS7. ALL STEELWORKS SHALL BE HOT DIP GALVANISED AFTER FABRICATIONS U.N.O.
- SS8. ALL BOLTED CONNECTIONS SHALL HAVE 10 PLATE AND 2-M20 8.8/S BOLTS MIN. IN 22mm DIA. HOLES U.N.O. ALL BOLT SPACINGS AND EDGE DISTANCES SHALL BE AS SPECIFIED IN AS4100 UNLESS NOTED OTHERWISE.
- SS9. ALL BOLTS SHALL BE OF SUCH LENGTH THAT AT LEAST ONE FULL THREAD IS EXPOSED BEYOND THE NUT AFTER THE NUT HAS BEEN TIGHTENED. A MINIMUM OF ONE WASHER SHALL BE USED UNDER THE NUT IN ALL SITUATIONS. IF TIGHTENING IS CARRIED OUT AT THE HEAD, AN ADDITIONAL WASHER SHALL BE USED UNDER THE HEAD. FOR SLOTTED HOLES USE HARDENED WASHERS UNDER THE NUT AND BOLT HEAD.
- SS10. FAYING SURFACES OF TF CONNECTIONS SHALL BE LEFT UNPAINTED AND FREE OF SCALE UNLESS OTHERWISE NOTED. BOLTS IN THE TF AND TB CONNECTION SHALL BE TIGHTENED USING THE PART TURN METHOD OR LOAD INDICATING WASHERS. CALIBRATED TORQUE WRENCHES SHALL NOT BE USED. A HARDENED WASHER SHALL BE USED UNDER THE BOLT HEAD OR NUT, WHICHEVER IS ROTATED. THE RE-USE OF FULLY TENSIONED BOLTS IS PROHIBITED.
- SS11. GALVANISING SHALL COMPLY WITH AS/NZS 4680. ALL MEMBERS ARE TO BE HOT DIP GALVANISED AND SHALL BE IN ACCORDANCE WITH RELEVANT AUSTRALIAN STANDARDS AS1214, AS1559, AS4680, AS4791 & AS4792 REPAINTING/REPAIR OF DAMAGED GALVANISED SURFACES (E.G. : SITE WELDS) TO BE PAINTED WITH 2 COATS OF APPROVED ZINC RICH PAINT.
- SS12. HOT DIP GALVANISED BOLTS, SCREWS, NUTS AND WASHERS TO AS1214 U.N.O. TAP GLAVANISED NUTS 0.4mm OVERSIZE TO SUIT GALVANISED THREADS TO AS1214 AND OIL FOR PROTECTION. INSTALL WASHERS UNDER BOLT HEAD AND NUT. PROVIDE TWO WASHERS UNDER BOLT HEAD IF HEAD IS USED FOR TIGHTENING. USE TAPERED WASHERS AS REQUIRED.
- SS13. COATINGS DAMAGED DURING TRANSPORT AND ERECTION OR BY WELDING SHALL BE MADE GOOD AFTER BEING WIRE-BRUSHED CLEAN, AND RECOATED AS ABOVE.
- SS14. THE ENDS OF ALL TUBULAR MEMBERS NOT REQUIRED TO BE HOT DIP GALV ARE TO BE SEALED WITH 3mm THICK PLATES AND CONTINUOUS FILLET WELDED UNLESS NOTED OTHERWISE.
- SS15. PARTS OF THE STRUCTURE WHICH MIGHT COLLECT WATER DURING CONSTRUCTION SHALL HAVE DRAINAGE HOLES IN LOCATIONS APPROVED BY THE DESIGNER.
- SS16. THE CONTRACTOR SHALL PROVIDE AND LEAVE IN PLACE UNTIL PERMANENT BRACING ELEMENTS ARE CONSTRUCTED SUCH TEMPORARY BRACING AS IS NECESSARY TO STABILISE THE STRUCTURE DURING ERECTION.
- SS17. THE CONTRACTOR SHALL PROVIDE ALL CLEATS AND DRILL ALL HOLES NECESSARY FOR ALL ATTACHMENTS, TIMBER & MASONRY WHETHER OR NOT DETAILED ON THE DRAWINGS.

WARNING
BEWARE OF UNDERGROUND SERVICES
THE LOCATION OF UNDERGROUND SERVICES ARE APPROXIMATE ONLY AND THEIR EXACT POSITION SHOULD BE PROVEN ON SITE. NO GUARANTEE IS GIVEN THAT ALL EXISTING SERVICES ARE SHOWN.



THIS DOCUMENT IS THE PROPERTY OF SOUTHERN RURAL WATER. USE OR COPYING OF THE DOCUMENT IN WHOLE OR IN PART WITHOUT THE WRITTEN PERMISSION OF SOUTHERN RURAL WATER CONSTITUTES AN INFRINGEMENT OF COPYRIGHT.



Jacobs
ABN 37 001 024 095 and ACN 001 024 095
Jacobs Group (Australia) Pty Ltd
11th Floor, 452 Flinders Street
MELBOURNE, VIC 3000
AUSTRALIA
Tel: +61 3 9668 3000
Fax: +61 3 9668 3001
Web: www.jacobs.com
JACOBS PROJECT NUMBER IA292200

CLIENT SOUTHERN RURAL WATER			
PROJECT MAFFRA WEIR FISHWAY			
DRAWN G. NEWTON	DRAWING CHECK T. GIBELLINI	REVIEWED D. MEEHAN	APPROVED N. KELLEHER
DESIGNED N. PAYNTER	DESIGN REVIEW A. SINGHA	DATE 09/09/24	DATE 09/09/24

TITLE MAFFRA WEIR FISHWAY GENERAL NOTES - SHEET 2		
PROJECT NUMBER IA292200	SOUTH GIPPSLAND WATER DRAWING NUMBER 292200-G003	REV 0
SCALE AS SHOWN		

ISSUED FOR CONSTRUCTION

0	09/09/24	GN	TG	NP	AS	DM	NK	ISSUED FOR CONSTRUCTION
REV	DATE	DRN	DRG. CHECK	DESIGN	DESIGN REV.	REV'D	APP'D	REVISION

DATE: 09/09/2024 5:10:43 PM LOGIN NAME: GIBELLINI, TONY LOCATION: C:\user\lgibellini\p\p\data\local\project\maffra\maffra_anz_001\705420\IA292200-0000-SC-DRG-G003.rwg



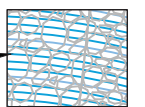
NOTES

1. ALL TREES TO BE RETAINED AND PROTECTED UNLESS OTHERWISE IDENTIFIED FOR REMOVAL.

LEGEND

FINISHED SURFACE CONTOURS

0.2m INTERVAL



WARNING: UNDERGROUND GAS AND SEWER SERVICES IN THIS AREA ARE NOT SHOWN. SERVICES TO BE LOCATED IF WORKING IN THIS AREA.

UPSTREAM

MACALISTER RIVER

MAFFRA WEIR (EXISTING)
FLOW

LEFT ABUTMENT

FLOW STRAIGHTENING WALL

NEW WEIR OPENING

RIGHT ABUTMENT

ROCK BASIN DETAILS REFER DRG. C041

REMOVE KNIFE EDGE WEIRS (x2) BY RAISING SILL WITH REINFORCED CONCRETE

FILL SCOUR HOLE WITH ROCK AND SHAPE TO FORM A DISHED BASIN. REFER DRG. C041.

HARD CREST

FISH TRAP AREA

DOWNSTREAM

REMOVE TREE

DEBRIS SCREEN WITH POWER LIFT BY OTHERS
FENDER PILES
PLATFORM
FISH TRAP AREA

SCREEN CLEANING AREA

TREE TO BE REMOVED

LOCATION OF 20T CRANE FOR ACCESSING FISHWAY AND DIVERSION CHANNEL GATES (MINIMUM CLEARANCE OF THE CRANE WHEEL / OUTRIGGER TO FACE OF WALL TO BE 3.3m)

EXISTING BYPASS CHANNEL

1:2

3300 MIN.

3300

3300 MIN.

4000

5600

5600

PRIVATE LAND

EXISTING WINGWALL & FOOTINGS TO BE DEMOLISHED
NEW WALL AND SLAB FOOTING

CONSTRUCT REINFORCED CONCRETE MAFFRA FISHWAY

CROWN LAND

REMOVE TREE

EXISTING SHEET PILING (RETAIN)

CRANE FREE ZONE DEFINED BY BOLLARDS

LIKITS OF CRANE NO PARKING AREA. THIS AREA SHALL NOT BE USED FOR CRANES LOADING OR UNLOADING

EDGE OF PROPOSED ACCESS TRACK
APPROXIMATE LOCATION FOR CRANE PAD. INDICATIVE 150 T CRANE SHOWN

PROVIDE TEMPORARY SUPPORT / PROPS TO EXISTING SHEET PILES DURING EXCAVATION AT THE BACK OF THE RETAINING WALL

PROPERTY BOUNDARY

PLAN
SCALE 1:200 (A1)

SCALE 1:200 (A1) 0 4000 8000 12000 16000 20000mm

WARNING
BEWARE OF UNDERGROUND SERVICES
THE LOCATION OF UNDERGROUND SERVICES ARE APPROXIMATE ONLY AND THEIR EXACT POSITION SHOULD BE PROVEN ON SITE. NO GUARANTEE IS GIVEN THAT ALL EXISTING SERVICES ARE SHOWN.

WARNING
BEWARE OF OVERHEAD CABLES
OVERHEAD POWERLINES AND COMMUNICATION CABLES IN THE VICINITY



THIS DOCUMENT IS THE PROPERTY OF SOUTHERN RURAL WATER. USE OR COPYING OF THE DOCUMENT IN WHOLE OR IN PART WITHOUT THE WRITTEN PERMISSION OF SOUTHERN RURAL WATER CONSTITUTES AN INFRINGEMENT OF COPYRIGHT.



CLIENT		SOUTHERN RURAL WATER	
PROJECT		MAFFRA WEIR FISHWAY	
DRAWN	DRAWING CHECK	REVIEWED	APPROVED
G. NEWTON	T. GIBELLINI	D. MEEHAN	N. KELLEHER
DESIGNED	DESIGN REVIEW	DATE	DATE
N. PAYNTER	S. SLARKE	09/09/24	09/09/24

TITLE		
MAFFRA WEIR FISHWAY SITE PLAN		
PROJECT NUMBER	SOUTH GIPPSLAND WATER DRAWING NUMBER	
IA292200	292200-C010	
SCALE AS SHOWN		0

0	09/09/24	GN	TG	NP	SS	DM	NK	ISSUED FOR CONSTRUCTION
REV	DATE	DRN	DRG. CHECK	DESIGN	DESIGN REV.	REV'D	APP'D	REVISION

DATE: 6/09/2024 5:21:47 PM LOGIN NAME: GIBELLINI, TONY LOCATION: C:\user\gibellini\appdata\local\project\maffra_weir\ia292200-0000-SC-DRG-C010.dwg



MACALISTER RIVER
FLOW

EXISTING WEIR

MAFFRA WEIR
(EXISTING)

MAFFRA WEIR
(GATES AND
SUPERSTRUCTURE NOT
SHOWN FOR CLARITY)

TEMPORARY COFFER DAM AND
CONSTRUCTION ACCESS (ASSUMED)

INDICATIVE LINE OF SHEET PILE FOR
HIGHER LEVELS OF CONTAINMENT.
LEVEL TO BE DETERMINED

PERMANENT ACCESS TRACK

EXISTING SHEETPILE
TO BE RETAINED,
REFER NOTE 5

SHORING TO RL 18.0
REFER NOTE 6

SHORING TO RL 18.0
REFER NOTE 6

ACCESS RAMP

PERMANENT ACCESS TRACK

EDGE OF PERMANENT ACCESS TRACK

PROPERTY BOUNDARY

PRIVATE LAND

CROWN LAND

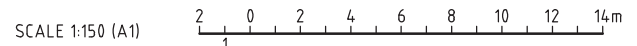
PLAN
SCALE 1:150 (A1)

NOTES

- FOR GENERAL NOTES REFER TO G002 AND G003
- THIS IS A PRELIMINARY ESTIMATE OF THE TOTAL COMBINED EXCAVATION FOOTPRINT. IT EXCLUDES THE FOLLOWING POTENTIAL EARTHWORKS:
 - ADDITIONAL ACCESS INTO THE EXCAVATION BEYOND THAT SHOWN,
 - ADDITIONAL COFFER DAMS BEYOND THAT SHOWN,
 - TEMPORARY COFFER DAMS OR SHEET PILING TO CONTAIN THE WEIR POOL,
 - TEMPORARY COFFER DAMS TO EXCLUDE RIVER FLOODING,
- BATTER SLOPES SHOWN ARE INDICATIVE AND MAY BE SHALLOWER DEPENDING ON THE SITE CONDITIONS ENCOUNTERED.
- THE CONTRACTOR IS RESPONSIBLE FOR ALL TEMPORARY WORKS DESIGN INCLUDING:
 - THE STAGING AND TIMING OF THE EXCAVATION WORKS TO LIMIT THE EXTENT OF EXCAVATION
- OPEN AT ONE TIME AND TO LIMIT THE FLOOD DAMAGE RISK TO THE WEIR AND FISHWAY. THE PROVISION OF SAFE BATTER SLOPES.
- THE DESIGN INSTALLATION AND REMOVAL OF TEMPORARY SHEET PILES, SHORING AND COFFER DAMS.
- THE DESIGN OF GROUNDWATER MANAGEMENT.
- THE DESIGN AND MAINTENANCE OF FLOW BYPASS SYSTEM.
- DESIGN OF TEMPORARY SUPPORT / PROPS TO EXISTING SHEET PILES DURING EXCAVATION AT THE BACK OF THE RETAINING WALL.
- THE LOCATION AND CONDITION OF EXISTING SHEETPILE IS TO BE ESTABLISHED IN ADVANCE TO ALLOW CONFIRMATION OF THE DESIGN.
- THE EXCAVATION PLAN IS BASED ON THE FOLLOWING ASSUMPTIONS:
 - SHORING OR SHEET PILES WILL BE PROVIDED TO CONTAIN GEOTECHNICAL UNITS 3A AND 3B.
 - SHORING OR SHEETPILES WILL BE PROVIDED TO SECURE THE EXCAVATION ADJACENT TO THE EXISTING DIVERSION CHANNEL, WHERE SHOWN.
 - THE WORKS WILL BE STAGED WITH: CELLS 32 -34 BUILT WITH THE WEIR POOL LOWERED AND WITHOUT A COFFER DAM.
- DOWNSTREAM WORKS BUILT AT TIME OF LOWEST FLOOD RISK, AND PROGRESSIVELY BACKFILLED.
- ALL TEMPORARY WORKS TO BE DESIGNED IN ACCORDANCE WITH RELEVANT AUSTRALIAN AND / OR INTERNATIONAL STANDARDS.

LEGEND

- NEW PERMANENT SHEET PILE
- ASSUMED TEMPORARY SHORING
- CONTOURS
- RL XX.XX
- SLOPE ANGLE (V:H)



ISSUED FOR CONSTRUCTION

WARNING
BEWARE OF UNDERGROUND SERVICES
THE LOCATION OF UNDERGROUND SERVICES ARE APPROXIMATE ONLY AND THEIR EXACT POSITION SHOULD BE PROVEN ON SITE. NO GUARANTEE IS GIVEN THAT ALL EXISTING SERVICES ARE SHOWN.

WARNING
BEWARE OF OVERHEAD CABLES
OVERHEAD POWERLINES AND COMMUNICATION CABLES IN THE VICINITY



THIS DOCUMENT IS THE PROPERTY OF SOUTHERN RURAL WATER. USE OR COPYING OF THE DOCUMENT IN WHOLE OR IN PART WITHOUT THE WRITTEN PERMISSION OF SOUTHERN RURAL WATER CONSTITUTES AN INFRINGEMENT OF COPYRIGHT.



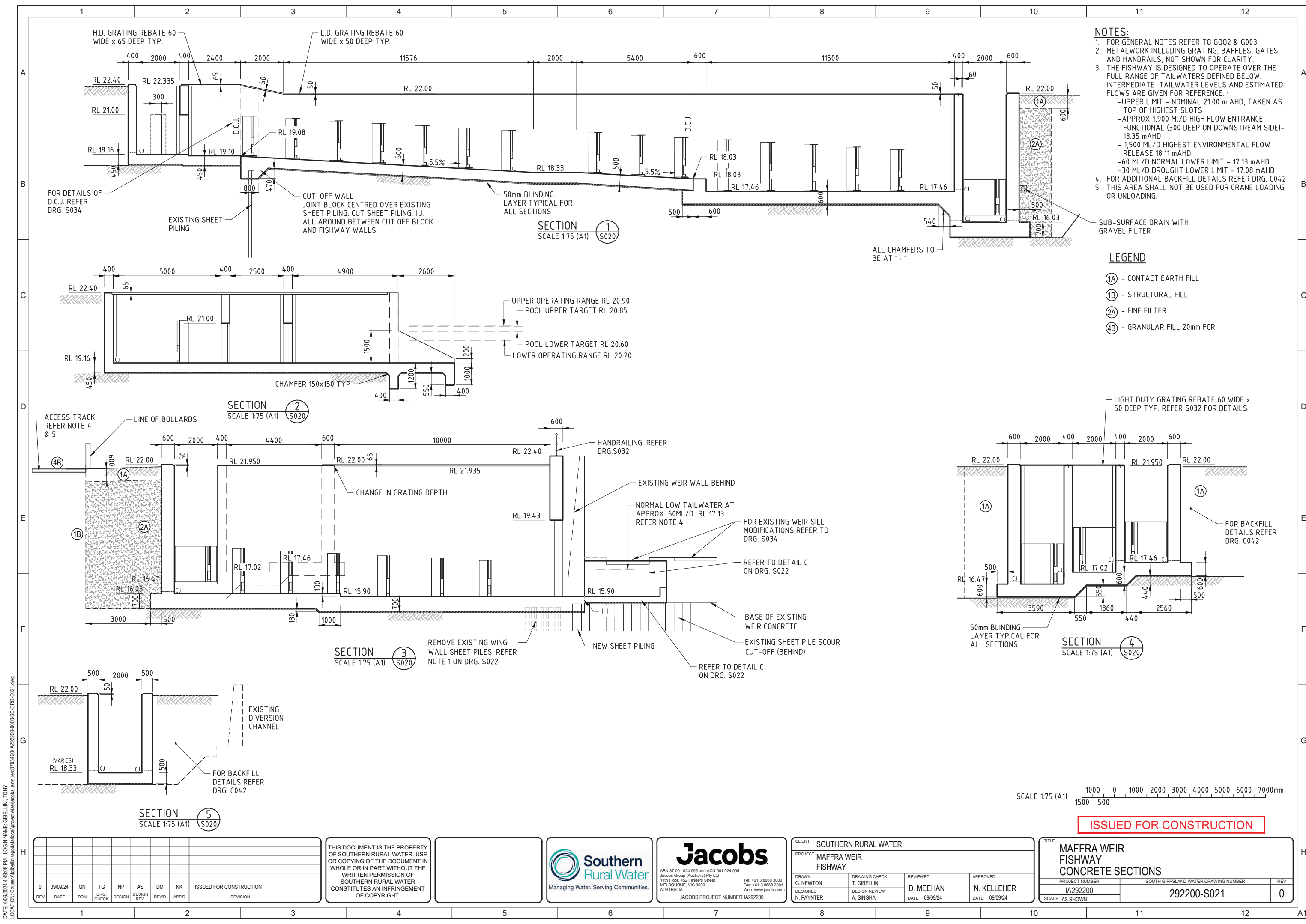
Jacobs
ABN 37 001 024 095 and ACN 001 024 095
Jacobs Group (Australia) Pty Ltd
11th Floor, 452 Flinders Street
MELBOURNE, VIC 3000
AUSTRALIA
Tel: +61 3 9668 3000
Fax: +61 3 9668 3001
Web: www.jacobs.com
JACOBS PROJECT NUMBER IA292200

CLIENT SOUTH GIPPSLAND WATER			
PROJECT MAFFRA WEIR FISHWAY			
DRAWN G. NEWTON	DRAWING CHECK T. GIBELINI	DESIGN MANAGER D. MEEHAN	PROJECT MANAGER N. KELLEHER
DESIGNED N. PAYNTER	DESIGN REVIEW S. TURNER	DATE 09/09/24	DATE 09/09/24

TITLE MAFFRA WEIR FISHWAY EXCAVATION PLAN		
PROJECT NUMBER IA292200	SOUTH GIPPSLAND WATER DRAWING NUMBER 292200-C013	REV 0
SCALE AS SHOWN		

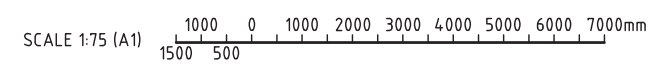
0	09/09/24	GN	TG	NP	ST	DM	NK	ISSUED FOR CONSTRUCTION
REV	DATE	DRN	DRG. CHECK	DESIGN	DESIGN REV.	DM	PM	REVISION

DATE: 09/09/2024 10:01:48 AM LOGIN NAME: VALENZUELA LEITON, ALEX LOCATION: C:\user\valenzuela\project\maffra_weir\090705420\092200-0000-SC-DRG-C013.dwg



- NOTES:**
- FOR GENERAL NOTES REFER TO G002 & G003.
 - METALWORK INCLUDING GRATING, BAFFLES, GATES AND HANDRAILS, NOT SHOWN FOR CLARITY.
 - THE FISHWAY IS DESIGNED TO OPERATE OVER THE FULL RANGE OF TAILWATERS DEFINED BELOW. INTERMEDIATE TAILWATER LEVELS AND ESTIMATED FLOWS ARE GIVEN FOR REFERENCE:
 - UPPER LIMIT - NOMINAL 21.00 m AHD, TAKEN AS TOP OF HIGHEST SLOTS
 - APPROX 1,900 ML/D HIGH FLOW ENTRANCE FUNCTIONAL (300 DEEP ON DOWNSTREAM SIDE) - 18.35 m AHD
 - 1,500 ML/D HIGHEST ENVIRONMENTAL FLOW RELEASE 18.11 m AHD
 - 60 ML/D NORMAL LOWER LIMIT - 17.13 m AHD
 - 30 ML/D DROUGHT LOWER LIMIT - 17.08 m AHD
 - FOR ADDITIONAL BACKFILL DETAILS REFER DRG. C042
 - THIS AREA SHALL NOT BE USED FOR CRANE LOADING OR UNLOADING.

- LEGEND**
- (1A) - CONTACT EARTH FILL
 - (1B) - STRUCTURAL FILL
 - (2A) - FINE FILTER
 - (4B) - GRANULAR FILL 20mm FCR

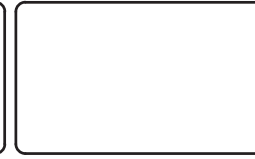


ISSUED FOR CONSTRUCTION

DATE: 09/09/24 4:49:08 PM LOGIN NAME: GIBELINI, TONY LOCATION: C:\user\gibelin\appdata\local\project\maffra\maffra_s021.dwg

REV	DATE	DRN	DRG. CHECK	TG	NP	AS	DM	NK	ISSUED FOR CONSTRUCTION
0	09/09/24								ISSUED FOR CONSTRUCTION

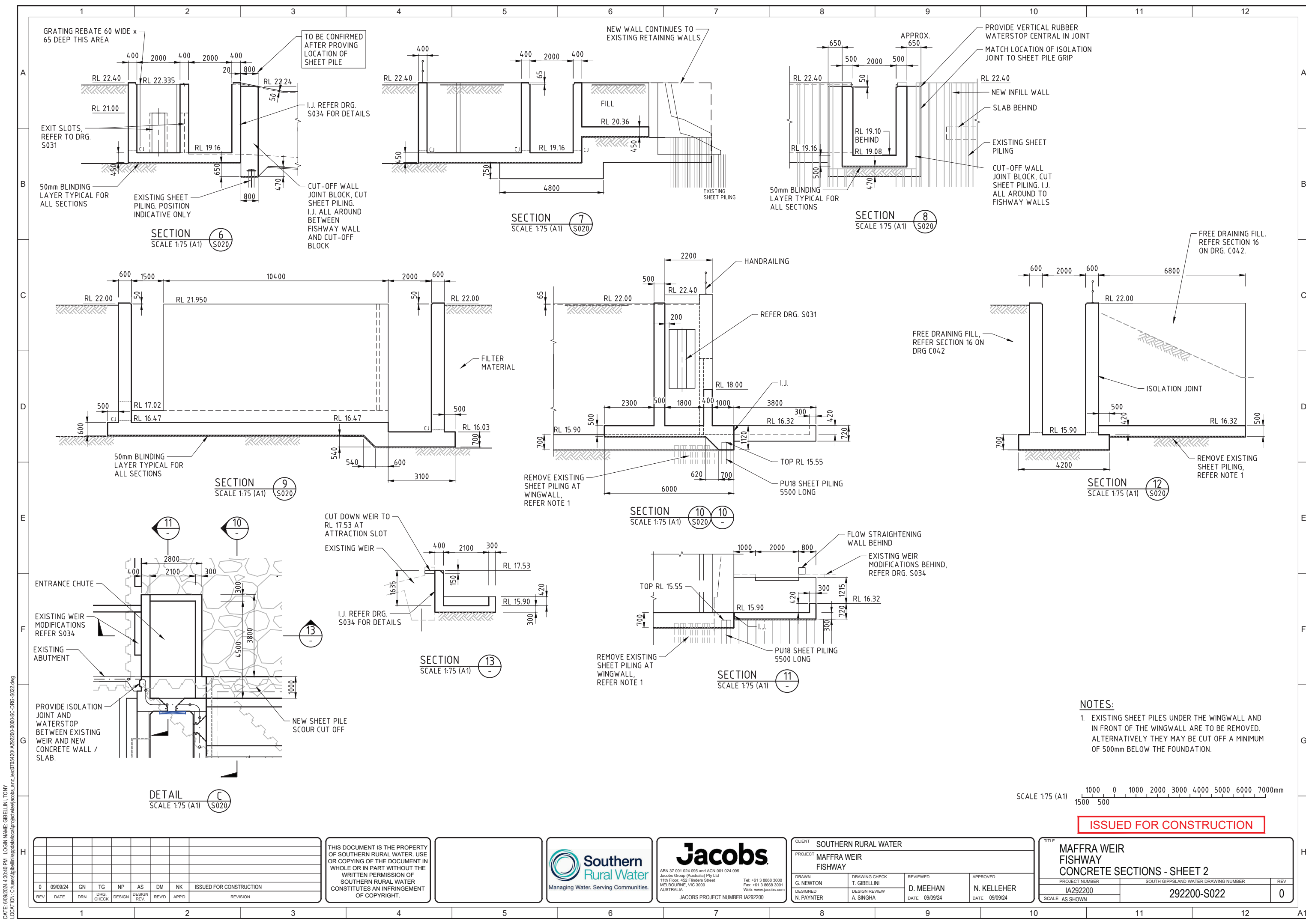
THIS DOCUMENT IS THE PROPERTY OF SOUTHERN RURAL WATER. USE OR COPYING OF THE DOCUMENT IN WHOLE OR IN PART WITHOUT THE WRITTEN PERMISSION OF SOUTHERN RURAL WATER CONSTITUTES AN INFRINGEMENT OF COPYRIGHT.



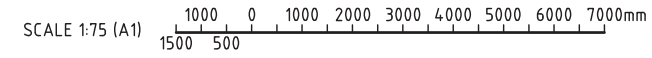
ABN 37 001 024 095 and ACN 001 024 095
 Jacobs Group (Australia) Pty Ltd
 11th Floor, 452 Flinders Street
 MELBOURNE, VIC 3000
 AUSTRALIA
 Tel: +61 3 9668 3000
 Fax: +61 3 9668 3001
 Web: www.jacobs.com
 JACOBS PROJECT NUMBER IA292200

CLIENT SOUTHERN RURAL WATER		PROJECT MAFFRA WEIR FISHWAY	
DRAWN G. NEWTON	DRAWING CHECK T. GIBELINI	REVIEWED D. MEEHAN	APPROVED N. KELLEHER
DESIGNED N. PAYNTER	DESIGN REVIEW A. SINGHA	DATE 09/09/24	DATE 09/09/24

TITLE MAFFRA WEIR FISHWAY CONCRETE SECTIONS		
PROJECT NUMBER IA292200	SOUTH GIPPSLAND WATER DRAWING NUMBER 292200-S021	REV 0
SCALE AS SHOWN		



- NOTES:**
- EXISTING SHEET PILES UNDER THE WINGWALL AND IN FRONT OF THE WINGWALL ARE TO BE REMOVED. ALTERNATIVELY THEY MAY BE CUT OFF A MINIMUM OF 500mm BELOW THE FOUNDATION.



ISSUED FOR CONSTRUCTION

DATE: 09/09/24 4:30:40 PM LOGIN NAME: GIBELINI, TONY LOCATION: C:\user\gibelin\appdata\local\projects\maffra\maffra_s022.dwg

REV	DATE	DRN	DRG. CHECK	DESIGN	DESIGN REV.	DM	NK	ISSUED FOR CONSTRUCTION
0	09/09/24	GN	TG	NP	AS	DM	NK	ISSUED FOR CONSTRUCTION

THIS DOCUMENT IS THE PROPERTY OF SOUTHERN RURAL WATER. USE OR COPYING OF THE DOCUMENT IN WHOLE OR IN PART WITHOUT THE WRITTEN PERMISSION OF SOUTHERN RURAL WATER CONSTITUTES AN INFRINGEMENT OF COPYRIGHT.



Jacobs
 JABN 37 001 024 005 and ACN 001 024 095
 Jacobs Group (Australia) Pty Ltd
 11th Floor, 452 Flinders Street
 MELBOURNE, VIC 3000
 AUSTRALIA
 Tel: +61 3 9668 3000
 Fax: +61 3 9668 3001
 Web: www.jacobs.com
 JACOBS PROJECT NUMBER IA292200

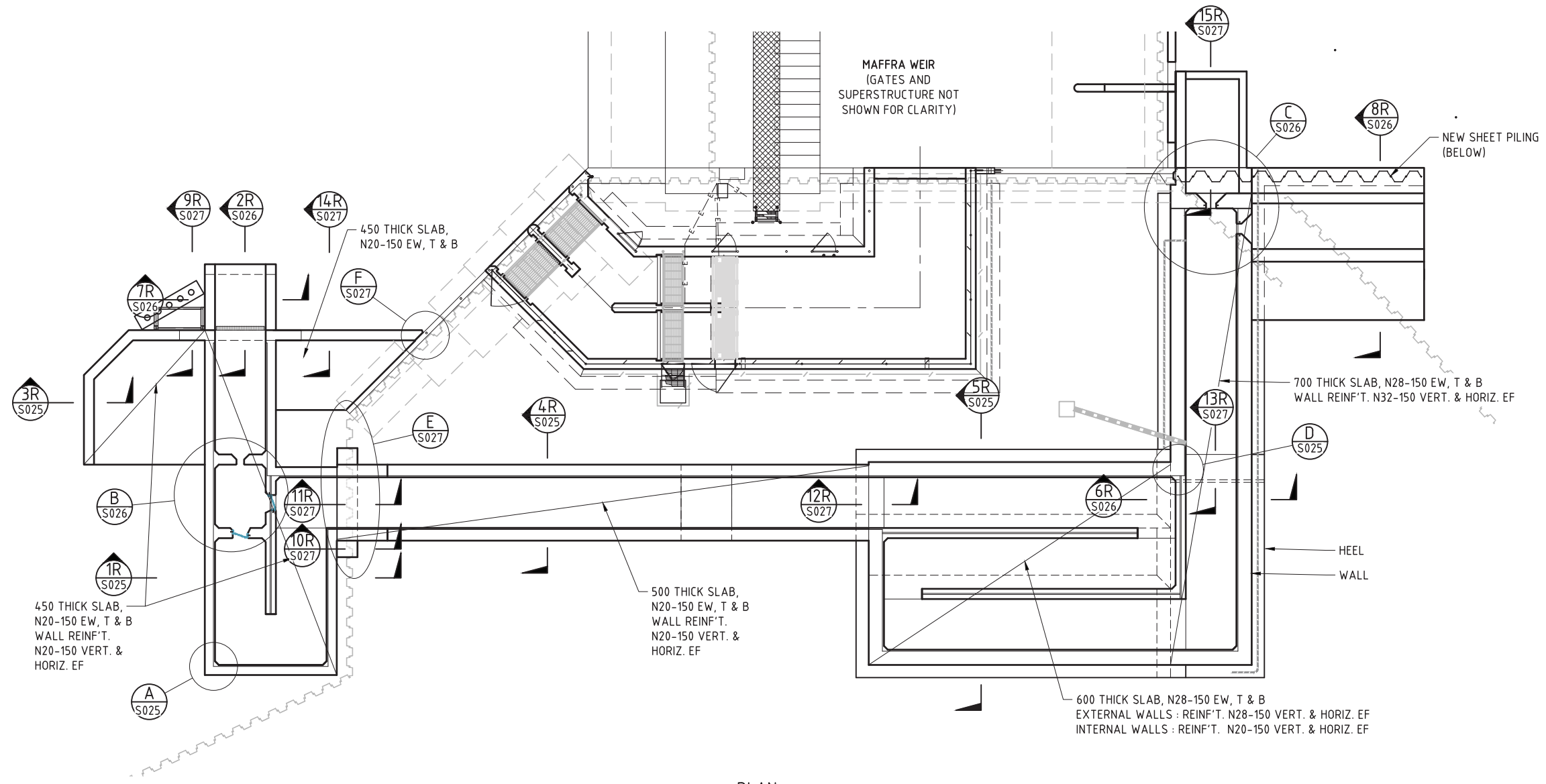
CLIENT SOUTHERN RURAL WATER	
PROJECT MAFFRA WEIR FISHWAY	
DRAWN G. NEWTON	DRAWING CHECK T. GIBELINI
DESIGNED N. PAYNTER	DESIGN REVIEW A. SINGHA
REVIEWED D. MEEHAN	APPROVED N. KELLEHER
DATE 09/09/24	DATE 09/09/24

TITLE MAFFRA WEIR FISHWAY CONCRETE SECTIONS - SHEET 2		
PROJECT NUMBER IA292200	SOUTH GIPPSLAND WATER DRAWING NUMBER 292200-S022	REV 0
SCALE AS SHOWN		

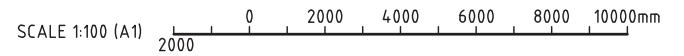


NOTES:

1. REINFORCEMENT NOTED ON THIS DRAWING IS TYPICAL FOR THE AREA SHOWN. REFER ALSO TO SECTIONS AND DETAILS.
2. REINFORCEMENT TO BE LOCATED CLEAR OF FISHWAY BAFFLE FIXINGS. REFER DRAWINGS S029 AND S030.



PLAN
SCALE 1:100 (A1)



ISSUED FOR CONSTRUCTION

DATE: 09/09/24 4:19:54 PM LOGIN NAME: GIBELLINI, TONY LOCATION: C:\user\gibellini\p\projects\292200-0000-SC-DRG-S024.dwg

REV	DATE	DRN	DRG. CHECK	DESIGN	DESIGN REV.	REV'D	APPD	REVISION
0	09/09/24	GN	TG	SP	AS	DM	NK	ISSUED FOR CONSTRUCTION

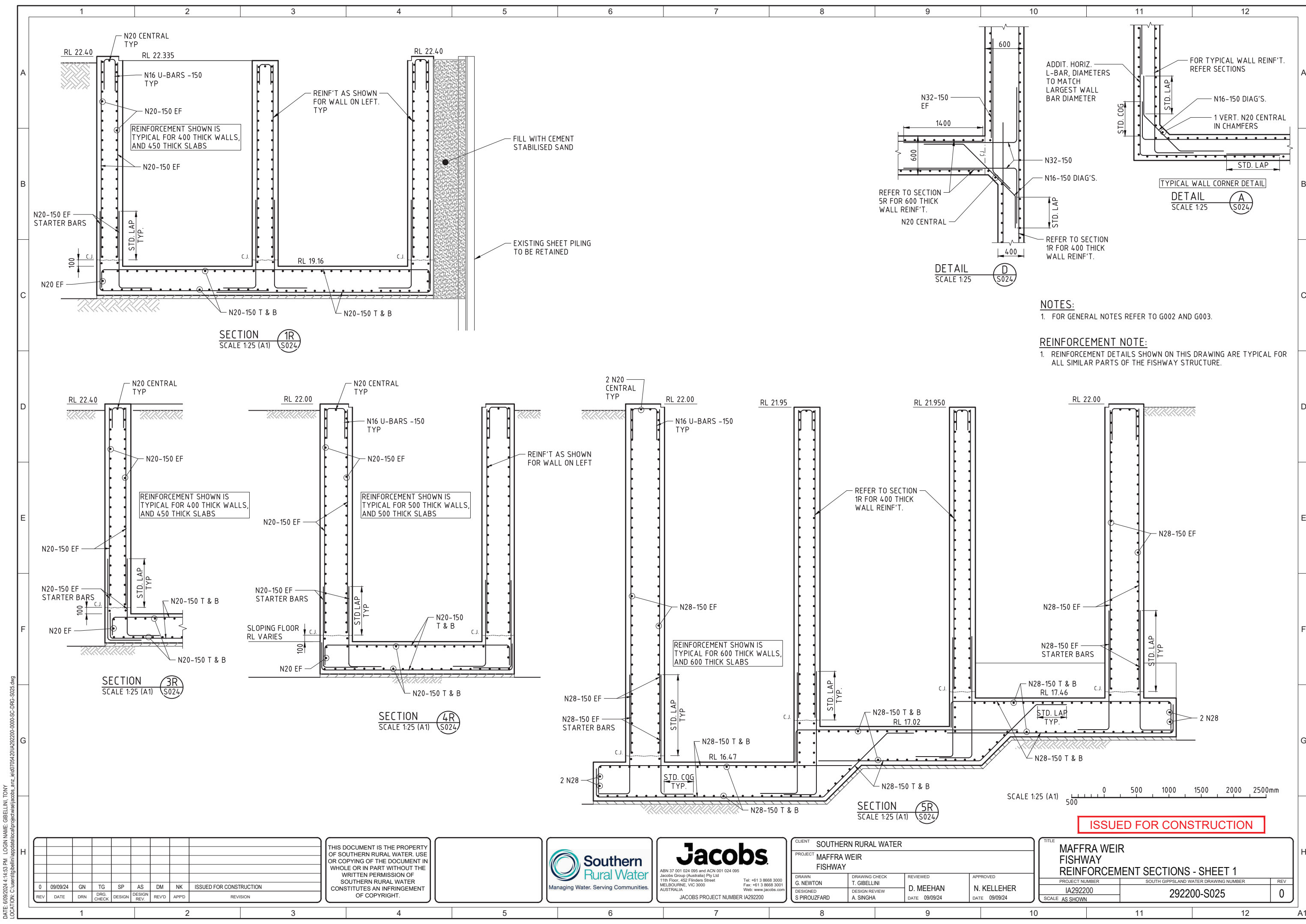
THIS DOCUMENT IS THE PROPERTY OF SOUTHERN RURAL WATER. USE OR COPYING OF THE DOCUMENT IN WHOLE OR IN PART WITHOUT THE WRITTEN PERMISSION OF SOUTHERN RURAL WATER CONSTITUTES AN INFRINGEMENT OF COPYRIGHT.



Jacobs
 ABN 37 001 024 095 and ACN 001 024 095
 Jacobs Group (Australia) Pty Ltd
 11th Floor, 452 Flinders Street
 MELBOURNE, VIC 3000
 AUSTRALIA
 Tel: +61 3 9668 3000
 Fax: +61 3 9668 3001
 Web: www.jacobs.com
 JACOBS PROJECT NUMBER IA292200

CLIENT SOUTHERN RURAL WATER			
PROJECT MAFFRA WEIR FISHWAY			
DRAWN G. NEWTON	DRAWING CHECK T. GIBELLINI	REVIEWED D. MEEHAN	APPROVED N. KELLEHER
DESIGNED S. PIROUZFARD	DESIGN REVIEW A. SINGHA	DATE 09/09/24	DATE 09/09/24

TITLE MAFFRA WEIR FISHWAY REINFORCEMENT PLAN		
PROJECT NUMBER IA292200	SOUTH GIPPSLAND WATER DRAWING NUMBER 292200-S024	REV 0
SCALE AS SHOWN		



NOTES:
 1. FOR GENERAL NOTES REFER TO G002 AND G003.

REINFORCEMENT NOTE:
 1. REINFORCEMENT DETAILS SHOWN ON THIS DRAWING ARE TYPICAL FOR ALL SIMILAR PARTS OF THE FISHWAY STRUCTURE.

ISSUED FOR CONSTRUCTION

DATE: 09/09/24 4:14:53 PM LOGIN NAME: GIBELINI, TONY
 LOCATION: C:\Users\gibelin\appdata\local\projects\maffra_weir\09092200-0000-SC-DRG-S025.dwg

REV	DATE	DRN	TG	SP	AS	DM	NK	ISSUED FOR CONSTRUCTION
0	09/09/24	GN	TG	SP	AS	DM	NK	ISSUED FOR CONSTRUCTION
		DRG. CHECK	DESIGN	DESIGN REV.	REV'D	APP'D		REVISION

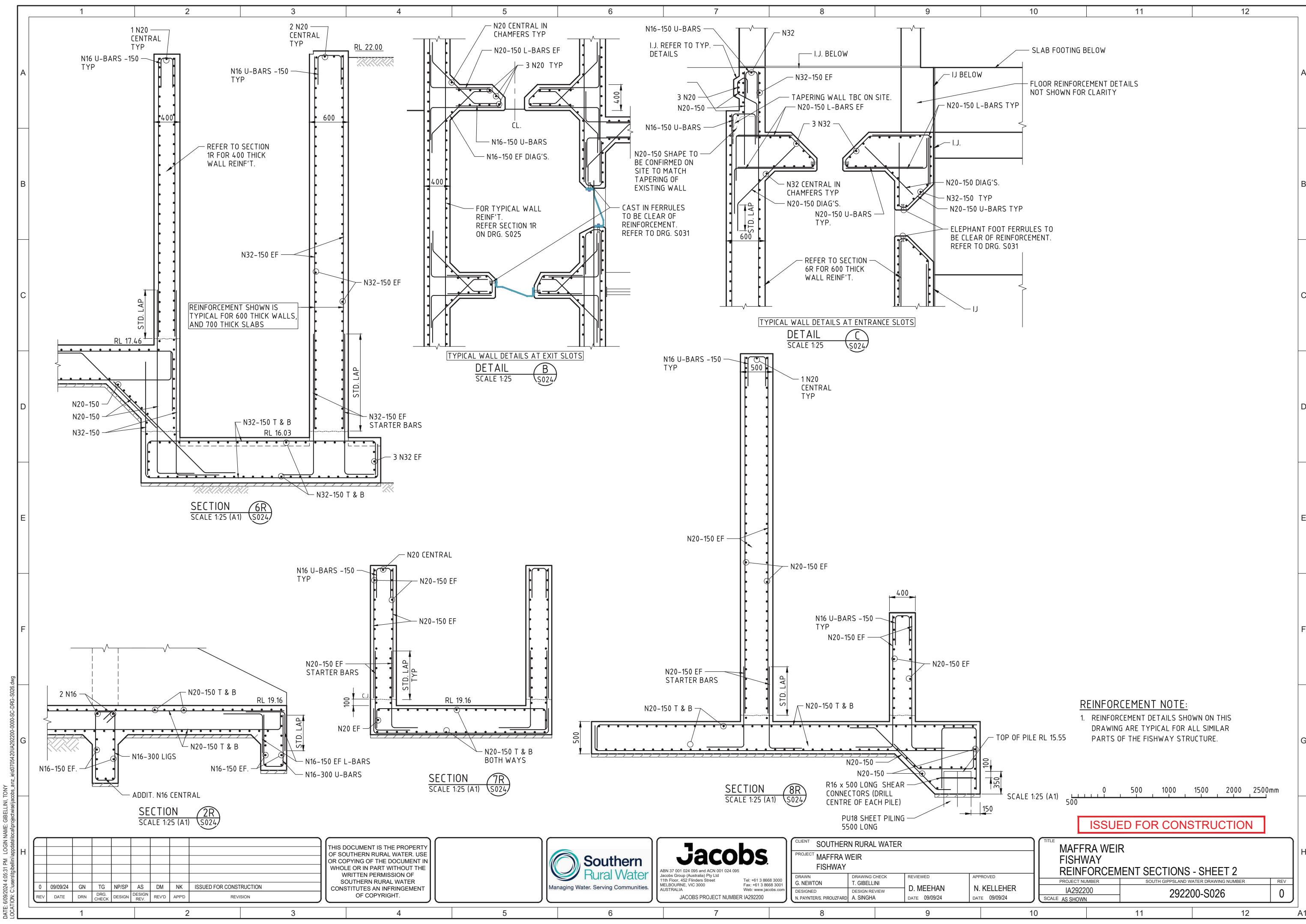
THIS DOCUMENT IS THE PROPERTY OF SOUTHERN RURAL WATER. USE OR COPYING OF THE DOCUMENT IN WHOLE OR IN PART WITHOUT THE WRITTEN PERMISSION OF SOUTHERN RURAL WATER CONSTITUTES AN INFRINGEMENT OF COPYRIGHT.



Jacobs
 ABN 37 001 024 095 and ACN 001 024 095
 Jacobs Group (Australia) Pty Ltd
 11th Floor, 452 Flinders Street
 MELBOURNE, VIC 3000
 AUSTRALIA
 Tel: +61 3 9668 3000
 Fax: +61 3 9668 3001
 Web: www.jacobs.com
 JACOBS PROJECT NUMBER IA292200

CLIENT SOUTHERN RURAL WATER			
PROJECT MAFFRA WEIR FISHWAY			
DRAWN G. NEWTON	DRAWING CHECK T. GIBELINI	REVIEWED D. MEEHAN	APPROVED N. KELLEHER
DESIGNED S. PIROUZFARD	DESIGN REVIEW A. SINGHA	DATE 09/09/24	DATE 09/09/24

TITLE MAFFRA WEIR FISHWAY REINFORCEMENT SECTIONS - SHEET 1		
PROJECT NUMBER IA292200	SOUTH GIPPSLAND WATER DRAWING NUMBER 292200-S025	REV 0
SCALE AS SHOWN		



REINFORCEMENT SHOWN IS TYPICAL FOR 600 THICK WALLS, AND 700 THICK SLABS

SECTION 6R SCALE 1:25 (A1) S024

DETAIL B SCALE 1:25 S024

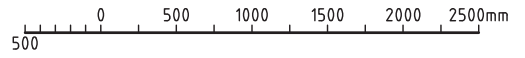
TYPICAL WALL DETAILS AT ENTRANCE SLOTS

DETAIL C SCALE 1:25 S024

SECTION 7R SCALE 1:25 (A1) S024

SECTION 8R SCALE 1:25 (A1) S024

REINFORCEMENT NOTE:
 1. REINFORCEMENT DETAILS SHOWN ON THIS DRAWING ARE TYPICAL FOR ALL SIMILAR PARTS OF THE FISHWAY STRUCTURE.



ISSUED FOR CONSTRUCTION

DATE: 09/09/24 4:05:31 PM LOGIN NAME: GIBELINI, TONY
 LOCATION: C:\Users\gibelin\appdata\local\project\maffra\maffra_s024.dwg

REV	DATE	DRN	DRG. CHECK	NP/SP	AS	DM	NK	ISSUED FOR CONSTRUCTION
0	09/09/24	GN	TG	NP/SP	AS	DM	NK	ISSUED FOR CONSTRUCTION

THIS DOCUMENT IS THE PROPERTY OF SOUTHERN RURAL WATER. USE OR COPYING OF THE DOCUMENT IN WHOLE OR IN PART WITHOUT THE WRITTEN PERMISSION OF SOUTHERN RURAL WATER CONSTITUTES AN INFRINGEMENT OF COPYRIGHT.



Jacobs
 ABN 37 001 024 005 and ACN 001 024 095
 Jacobs Group (Australia) Pty Ltd
 11th Floor, 452 Flinders Street
 MELBOURNE, VIC 3000
 AUSTRALIA
 Tel: +61 3 9668 3000
 Fax: +61 3 9668 3001
 Web: www.jacobs.com
 JACOBS PROJECT NUMBER IA292200

CLIENT SOUTHERN RURAL WATER		PROJECT MAFFRA WEIR FISHWAY	
DRAWN G. NEWTON	DRAWING CHECK T. GIBELINI	REVIEWED D. MEEHAN	APPROVED N. KELLEHER
DESIGNED N. PAYNTER, PIROUZFARD	DESIGN REVIEW A. SINGHA	DATE 09/09/24	DATE 09/09/24

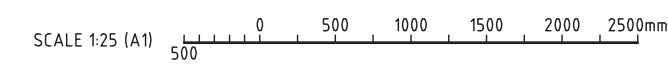
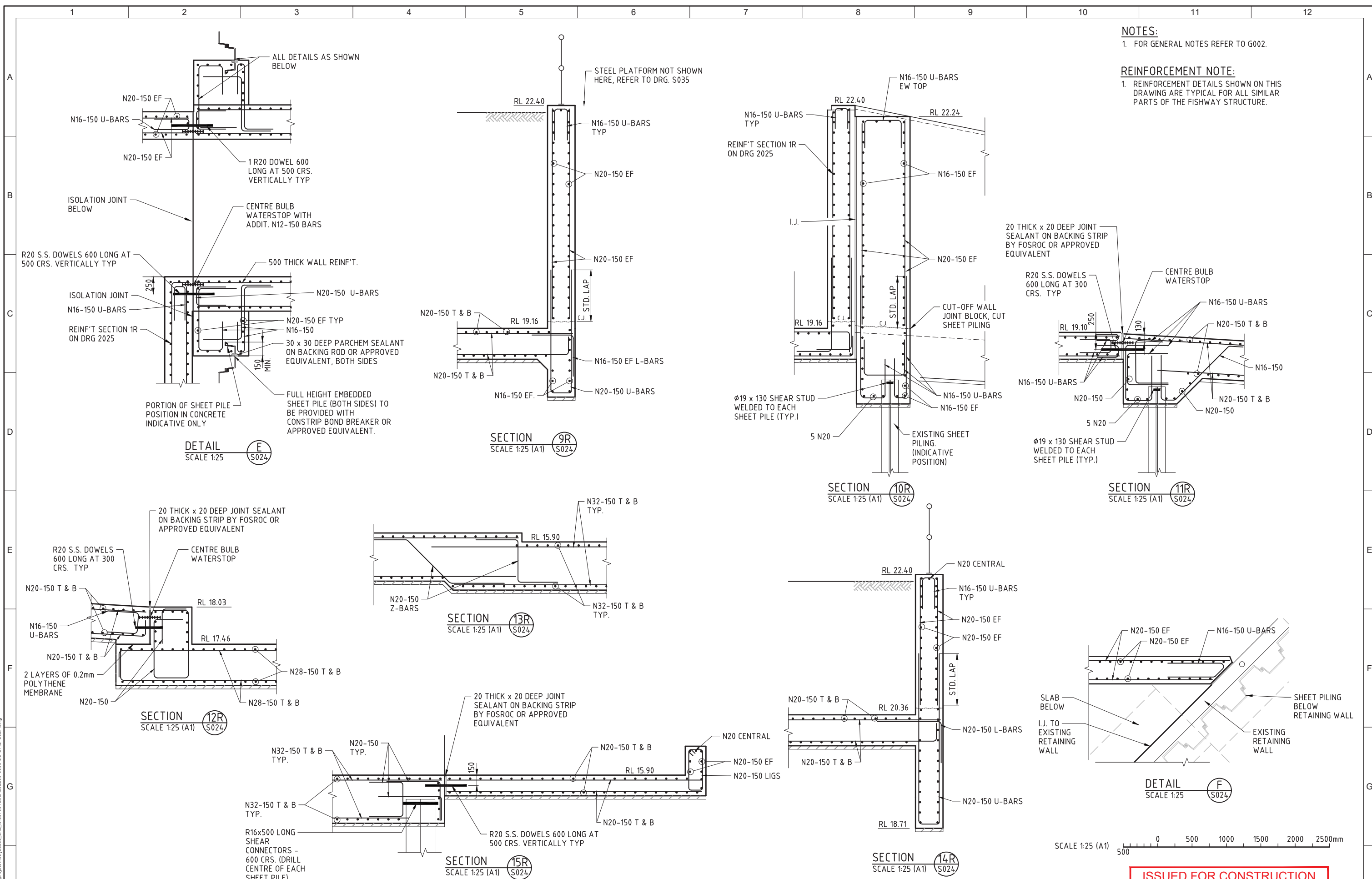
TITLE MAFFRA WEIR FISHWAY REINFORCEMENT SECTIONS - SHEET 2		
PROJECT NUMBER IA292200	SOUTH GIPPSLAND WATER DRAWING NUMBER 292200-S026	REV 0
SCALE AS SHOWN		

NOTES:

1. FOR GENERAL NOTES REFER TO G002.

REINFORCEMENT NOTE:

1. REINFORCEMENT DETAILS SHOWN ON THIS DRAWING ARE TYPICAL FOR ALL SIMILAR PARTS OF THE FISHWAY STRUCTURE.



ISSUED FOR CONSTRUCTION

DATE: 09/09/24 3:59:19 PM LOGIN NAME: GIBELINI, TONY LOCATION: C:\Users\gibelin\appdata\local\project\maffra\maffra_s024.dwg

REV	DATE	DRN	DRG. CHECK	SP	AS	DM	NK	ISSUED FOR CONSTRUCTION
0	09/09/24	GN	TG	SP	AS	DM	NK	ISSUED FOR CONSTRUCTION

THIS DOCUMENT IS THE PROPERTY OF SOUTHERN RURAL WATER. USE OR COPYING OF THE DOCUMENT IN WHOLE OR IN PART WITHOUT THE WRITTEN PERMISSION OF SOUTHERN RURAL WATER CONSTITUTES AN INFRINGEMENT OF COPYRIGHT.

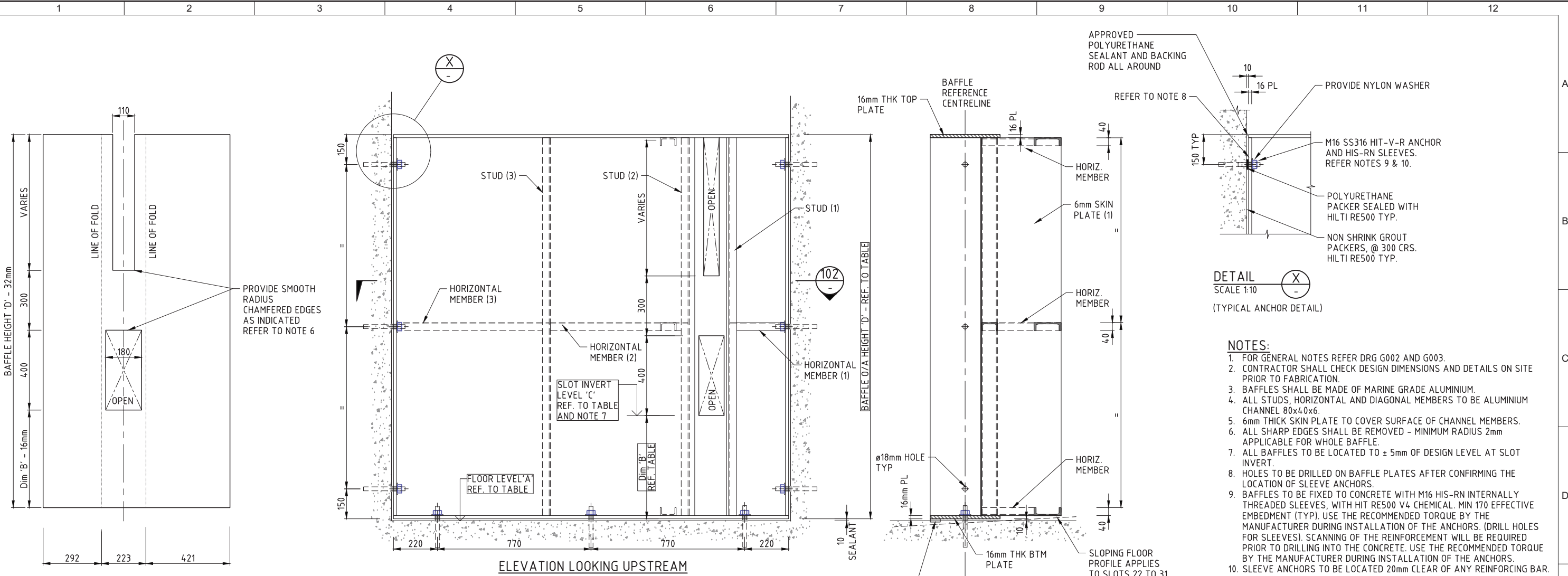


Jacobs
ABN 37 001 024 005 and ACN 001 024 095
 Jacobs Group (Australia) Pty Ltd
 11th Floor, 452 Flinders Street
 MELBOURNE, VIC 3000
 AUSTRALIA
 Tel: +61 3 9668 3000
 Fax: +61 3 9668 3001
 Web: www.jacobs.com

JACOBS PROJECT NUMBER IA292200

CLIENT SOUTHERN RURAL WATER		PROJECT MAFFRA WEIR FISHWAY	
DRAWN G. NEWTON	DRAWING CHECK T. GIBELINI	REVIEWED D. MEEHAN	APPROVED N. KELLEHER
DESIGNED S. PIROUZFARD	DESIGN REVIEW A. SINGHA	DATE 09/09/24	DATE 09/09/24

TITLE MAFFRA WEIR FISHWAY REINFORCEMENT SECTIONS - SHEET 3		
PROJECT NUMBER IA292200	SOUTH GIPPSLAND WATER DRAWING NUMBER 292200-S027	REV 0
SCALE AS SHOWN		



- NOTES:**
- FOR GENERAL NOTES REFER DRG G002 AND G003.
 - CONTRACTOR SHALL CHECK DESIGN DIMENSIONS AND DETAILS ON SITE PRIOR TO FABRICATION.
 - BAFFLES SHALL BE MADE OF MARINE GRADE ALUMINIUM.
 - ALL STUDS, HORIZONTAL AND DIAGONAL MEMBERS TO BE ALUMINIUM CHANNEL 80x40x6.
 - 6mm THICK SKIN PLATE TO COVER SURFACE OF CHANNEL MEMBERS.
 - ALL SHARP EDGES SHALL BE REMOVED - MINIMUM RADIUS 2mm APPLICABLE FOR WHOLE BAFFLE.
 - ALL BAFFLES TO BE LOCATED TO ± 5mm OF DESIGN LEVEL AT SLOT INVERT.
 - HOLES TO BE DRILLED ON BAFFLE PLATES AFTER CONFIRMING THE LOCATION OF SLEEVE ANCHORS.
 - BAFFLES TO BE FIXED TO CONCRETE WITH M16 HIS-RN INTERNALLY THREADED SLEEVES, WITH HIT RE500 V4 CHEMICAL. MIN 170 EFFECTIVE EMBEDMENT (TYP). USE THE RECOMMENDED TORQUE BY THE MANUFACTURER DURING INSTALLATION OF THE ANCHORS. (DRILL HOLES FOR SLEEVES). SCANNING OF THE REINFORCEMENT WILL BE REQUIRED PRIOR TO DRILLING INTO THE CONCRETE. USE THE RECOMMENDED TORQUE BY THE MANUFACTURER DURING INSTALLATION OF THE ANCHORS.
 - SLEEVE ANCHORS TO BE LOCATED 20mm CLEAR OF ANY REINFORCING BAR.

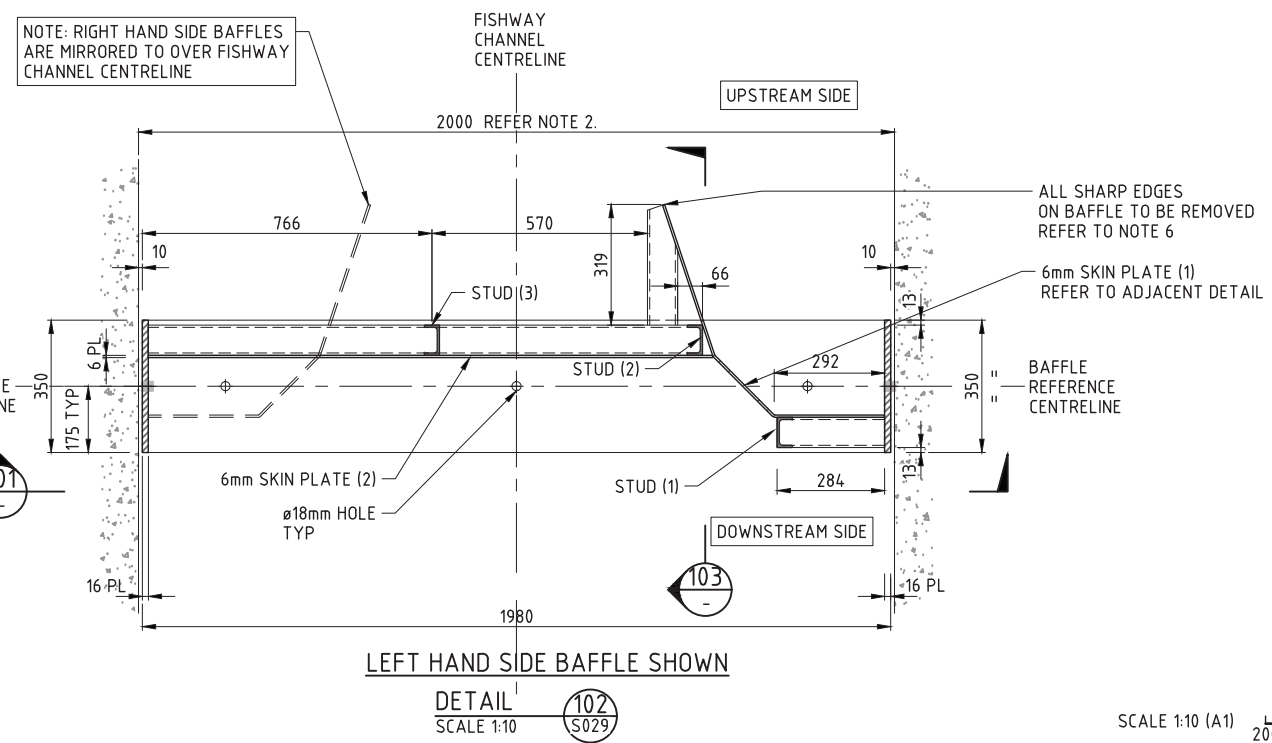
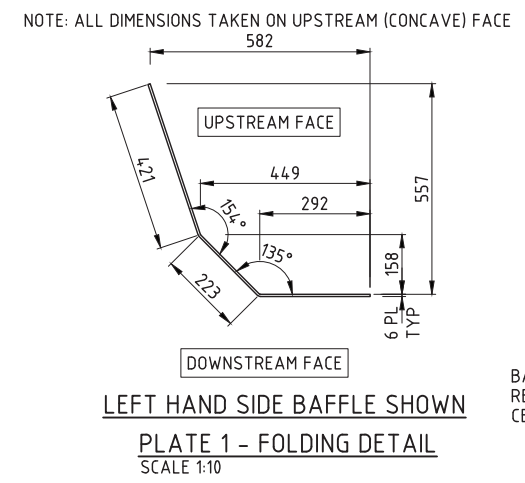
PLATE 1 - FLAT VIEW TO UPSTREAM FACE
SCALE 1:10

ELEVATION LOOKING UPSTREAM
VIEW SCALE 1:10 (101)

FOR SLOPING FLOOR SLOTS 22 TO 31 ONLY:
ALUM. SPACER PLATE
50x16 THICK FULL WIDTH

SECTION
SCALE 1:10 (103)

MAFFRA FISHWAY VERTICAL SLOT BAFFLES (32 NO.OFF)



SLOT	Floor Level at Baffle Centerline "A"(m AHD)	Dim "B" (mm)	SLOT INVERT LEVEL "C" (within +/- 5mm)	BAFFLE A/O HEIGHT "D"	UPPER SLOT HEIGHT (mm)	BAFFLE ORIENTATION
Slot 2	15.900	100	16.010	1666	850	RHS
Slot 3	15.900	210	16.120	1776	850	RHS
Slot 4	15.900	320	16.230	1886	850	RHS
Slot 5	16.030	300	16.340	1866	850	RHS
Slot 6	16.030	410	16.450	1976	850	RHS
Slot 7	16.030	520	16.560	2086	850	RHS
Slot 8	16.470	190	16.670	1756	850	LHS - AS SHOWN
Slot 9	16.470	300	16.780	1866	850	LHS - AS SHOWN
Slot 10	16.470	410	16.890	1976	850	LHS - AS SHOWN
Slot 11	16.470	520	17.000	2086	850	LHS - AS SHOWN
Slot 12	16.470	630	17.110	2196	850	LHS - AS SHOWN
Slot 13	17.020	190	17.220	1756	850	LHS - AS SHOWN
Slot 14	17.020	300	17.330	1866	850	LHS - AS SHOWN
Slot 15	17.020	410	17.440	1976	850	LHS - AS SHOWN
Slot 16	17.020	520	17.550	2086	850	LHS - AS SHOWN
Slot 17	17.460	190	17.660	1906	1000	RHS
Slot 18	17.460	300	17.770	2016	1000	RHS
Slot 19	17.460	410	17.880	2126	1000	RHS
Slot 20	17.460	520	17.990	2236	1000	RHS
Slot 21	17.460	630	18.100	2346	1000	RHS
Slot 22	18.055	135	18.210	1851	1000	RHS
Slot 23	18.165	135	18.320	1851	1000	RHS
Slot 24	18.275	135	18.430	1851	1000	RHS
Slot 25	18.385	135	18.540	1851	1000	RHS
Slot 26	18.495	135	18.650	1851	1000	RHS
Slot 27	18.605	135	18.760	1851	1000	RHS
Slot 28	18.715	135	18.870	1851	1000	RHS
Slot 29	18.825	135	18.980	1851	1000	RHS
Slot 30	18.935	135	19.090	1851	1000	RHS
Slot 31	19.045	135	19.200	1851	1000	RHS
Slot 32	19.160	140	19.310	1856	1000	RHS
Slot 33	19.160	250	19.420	1966	1000	LHS - AS SHOWN

SCALE 1:10 (A1)

ISSUED FOR CONSTRUCTION

REV	DATE	DRN	ORC.	NP	SS	DM	NK	ISSUED FOR CONSTRUCTION
0	09/09/24	GN	TG	NP	SS	DM	NK	ISSUED FOR CONSTRUCTION

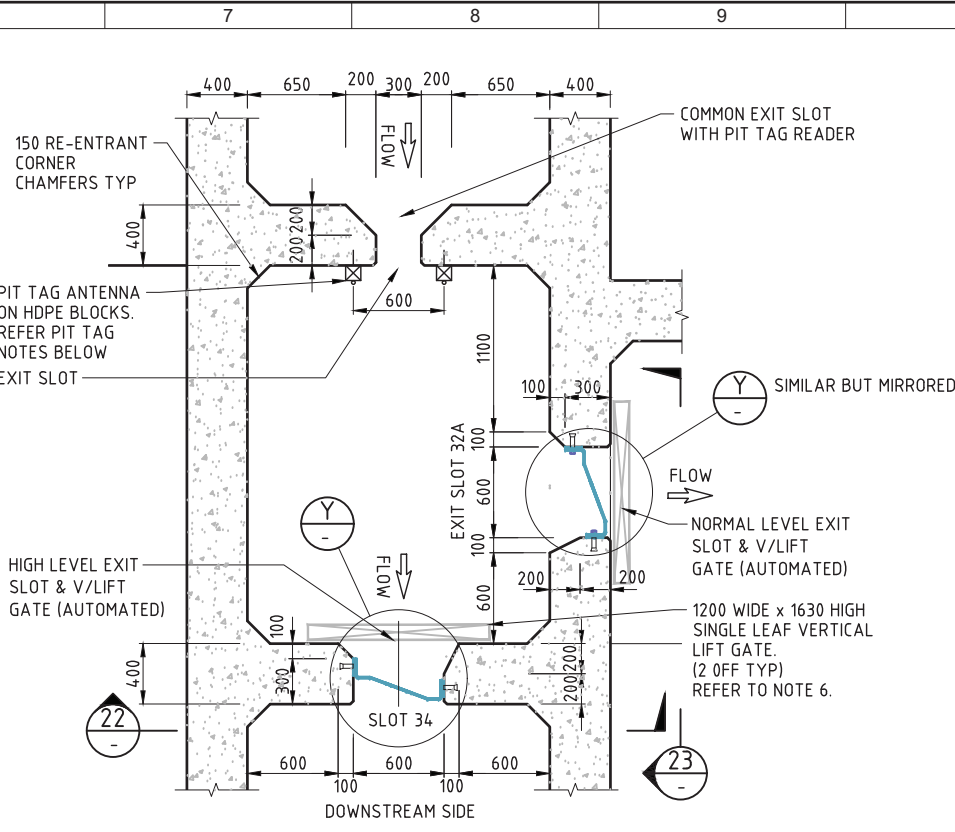
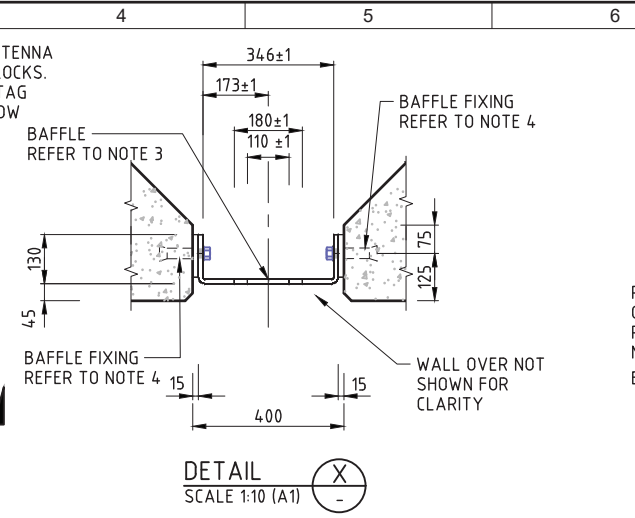
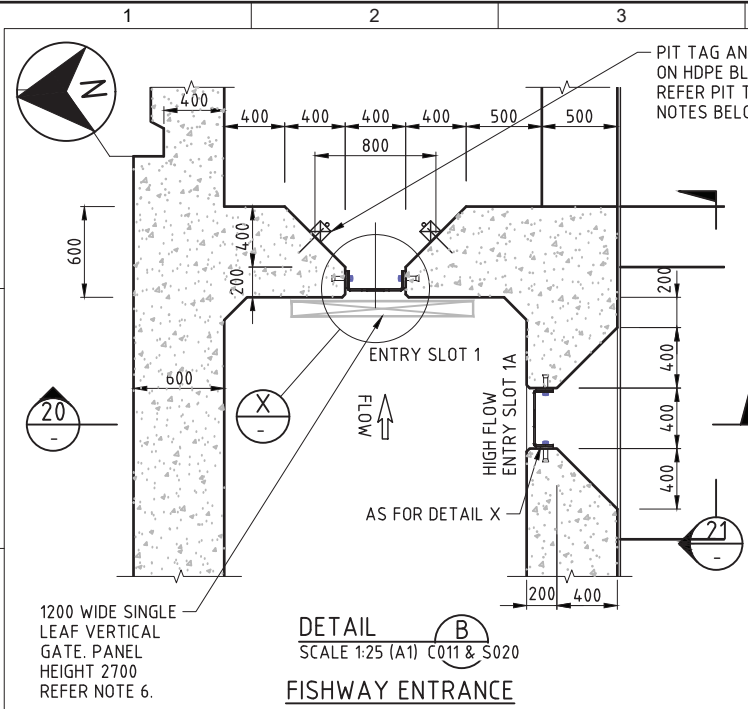
THIS DOCUMENT IS THE PROPERTY OF SOUTHERN RURAL WATER. USE OR COPYING OF THE DOCUMENT IN WHOLE OR IN PART WITHOUT THE WRITTEN PERMISSION OF SOUTHERN RURAL WATER CONSTITUTES AN INFRINGEMENT OF COPYRIGHT.



CLIENT: SOUTHERN RURAL WATER			
PROJECT: MAFFRA WEIR FISHWAY			
DRAWN: G. NEWTON	DRAWING CHECK: T. GIBELINI	REVIEWED: D. MEEHAN	APPROVED: N. KELLEHER
DESIGNED: N. PAYNTER	DESIGN REVIEW: S. SLARKE	DATE: 09/09/24	DATE: 09/09/24

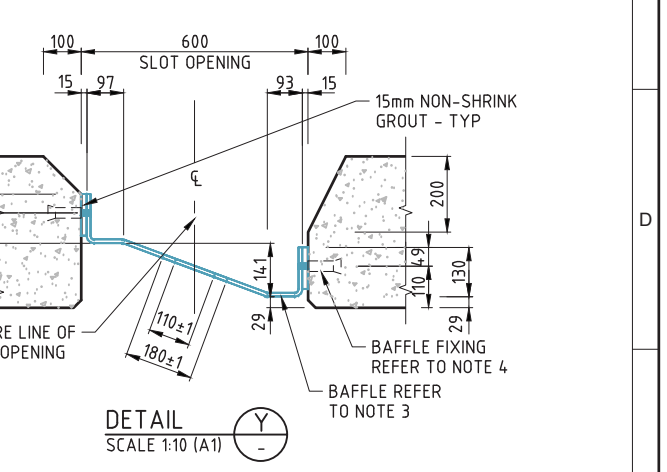
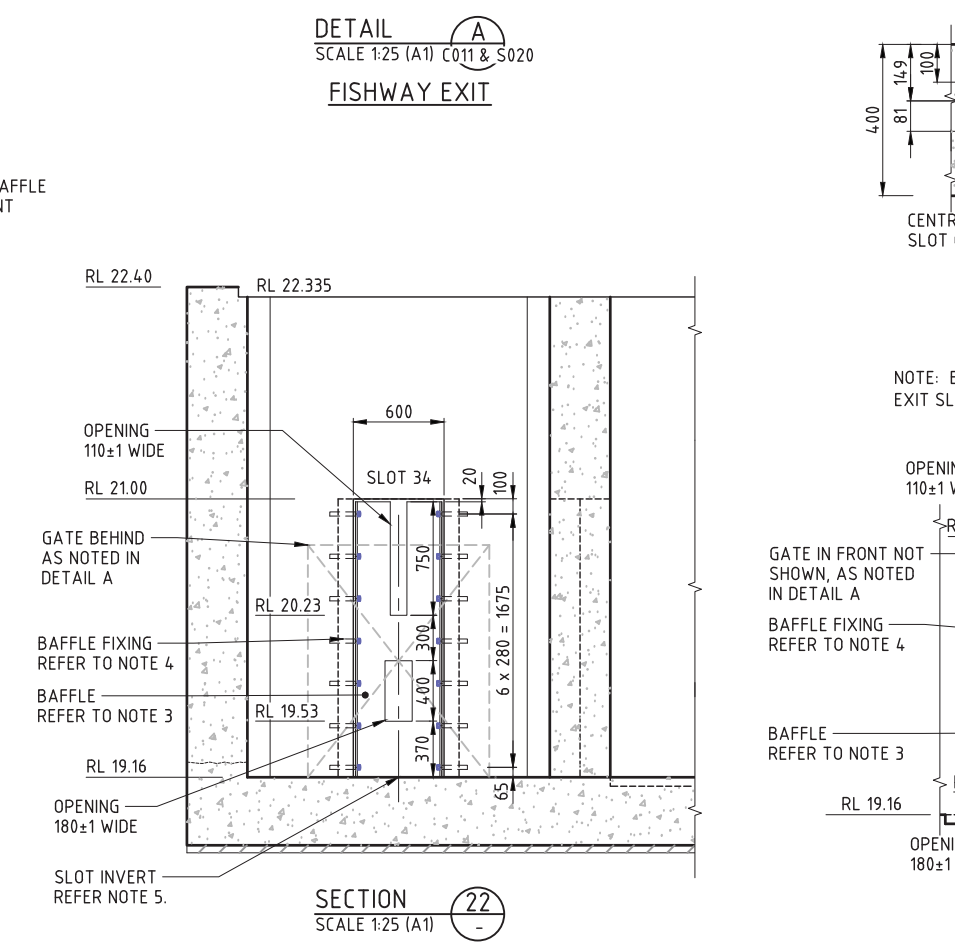
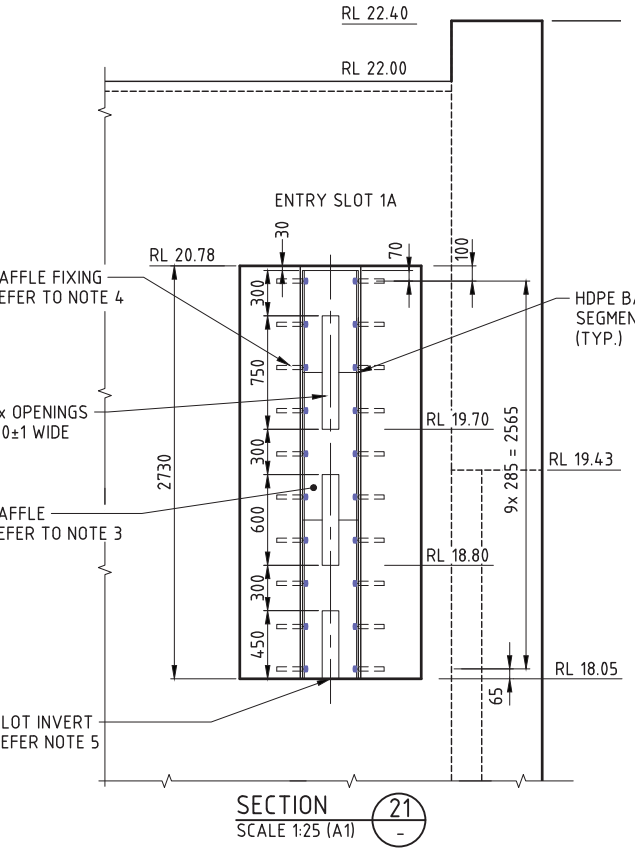
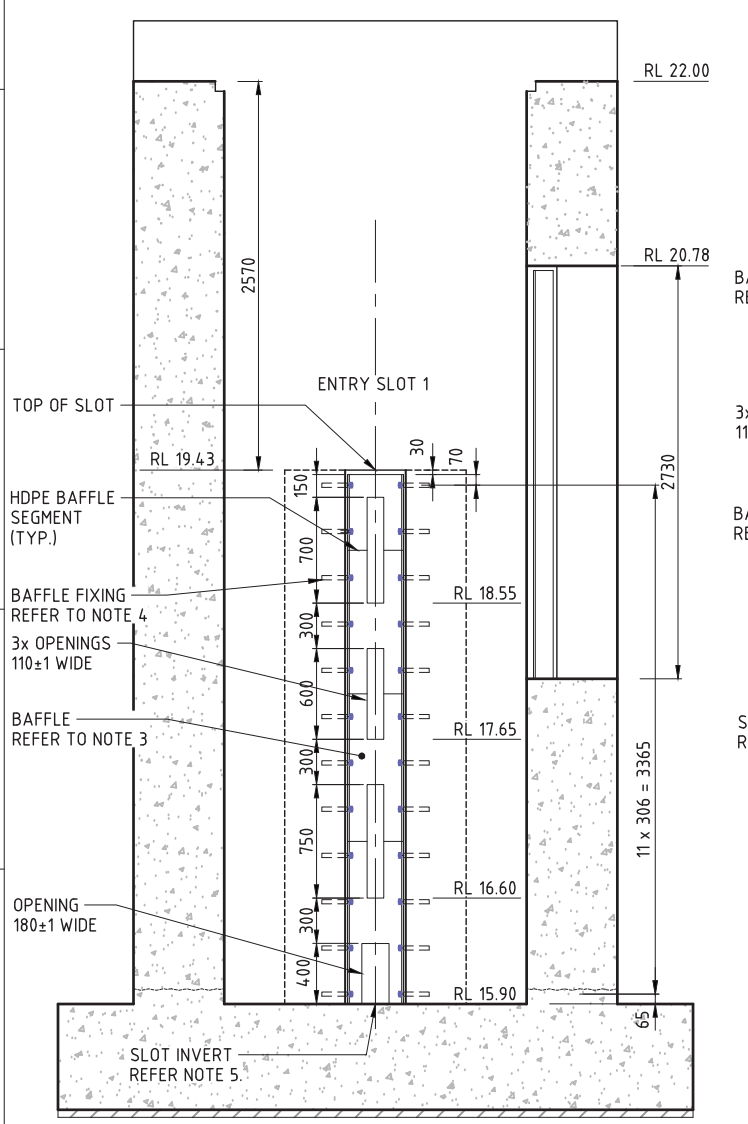
TITLE: MAFFRA WEIR FISHWAY VERTICAL SLOT BAFFLES		
PROJECT NUMBER: IA292200	SOUTH GIPPSLAND WATER DRAWING NUMBER: 292200-S030	REV: 0
SCALE: AS SHOWN		

DATE: 09/09/2024 3:42:40 PM LOGIN NAME: GIBELINI, TONY LOCATION: C:\user\gibelin\appdata\local\project\maffra\maffra_s030.dwg

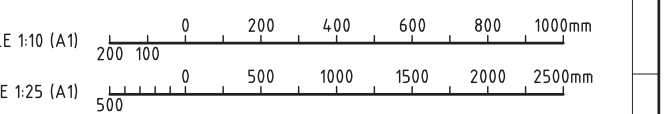
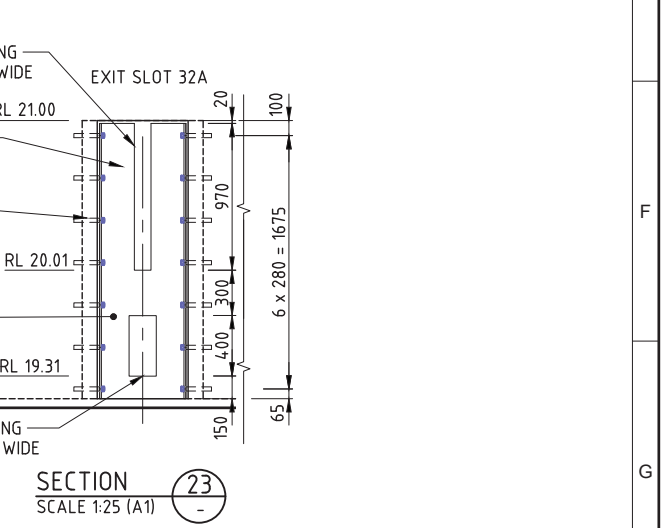


- PIT TAG NOTES:**
- PIT TAG READER SYSTEM TO BE PROVIDED BY KARLTEK.
 - THE HDPE BLOCKS SHALL BE 100x100x THE FULL HEIGHT OF SLOT MEASURED FROM THE FISHWAY FLOOR TO THE TOP OF THE BAFFLE.
 - THE HDPE BLOCKS SHALL BE ANCHORED TO THE WALL WITH M12 STAINLESS STEEL CHEMICAL ANCHORS AT 500 CRS. MAX. THE END OF THE ANCHOR AND NUTS MUST BE COUNTERSUNK INTO THE HDPE BY A MINIMUM DEPTH OF 30mm. ANCHOR EMBEDMENT TO BE 100mm

- NOTES:**
- FOR GENERAL NOTES REFER TO DRG. G002.
 - CONTRACTOR SHALL CHECK DESIGN DIMENSIONS AND DETAILS ON SITE PRIOR TO FABRICATION.
 - ENTRANCE AND EXIT SLOT BAFFLE PLATES SHALL BE FABRICATED FROM 12mm WELDED HIGH DENSITY POLYETHYLENE PLATE. PROVIDE PLATES AT ENTRANCE SLOTS 1 & 1A IN SEPARABLE SEGMENTED SECTIONS AS SHOWN. ALL SHARP EDGES TO HDPE BAFFLE PLATES TO BE REMOVED - MINIMUM RADIUS 2mm APPLICABLE FOR WHOLE BAFFLE PLATE.
 - BAFFLES SHALL BE FIXED TO CONCRETE USING SS316 M16 BOLT & WASHER INTO REID SS ELEPHANT FOOT FERRULE M16 x 70 (FE16070SS6) AT SPACINGS SHOWN. MAINTAIN 20mm MIN. SEPARATION FROM REINFORCING.
 - ALL BAFFLES TO BE LOCATED TO ±1mm OF DESIGN LEVEL AT SLOT INVERT.
 - GATES SHALL BE PROPRIETARY SINGLE-LEAF VERTICAL LIFT GATES WITH ACTUATORS, TO THE SIZINGS SHOWN IN TABLE 1.



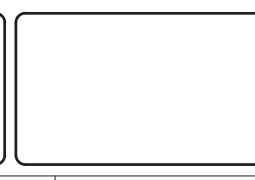
NOTE: EXIT SLOT 34 TO BE ORIENTATED AS SHOWN IN DETAIL 1. EXIT SLOT 32A PLAN DIMENSIONS TO BE A MIRROR IMAGE. REFER DETAIL A



ISSUED FOR CONSTRUCTION

REV	DATE	DRN	DRG. CHECK	NP	SS	DM	NK	ISSUED FOR CONSTRUCTION
0	09/09/24	GN	TG	NP	SS	DM	NK	ISSUED FOR CONSTRUCTION

THIS DOCUMENT IS THE PROPERTY OF SOUTHERN RURAL WATER. USE OR COPYING OF THE DOCUMENT IN WHOLE OR IN PART WITHOUT THE WRITTEN PERMISSION OF SOUTHERN RURAL WATER CONSTITUTES AN INFRINGEMENT OF COPYRIGHT.

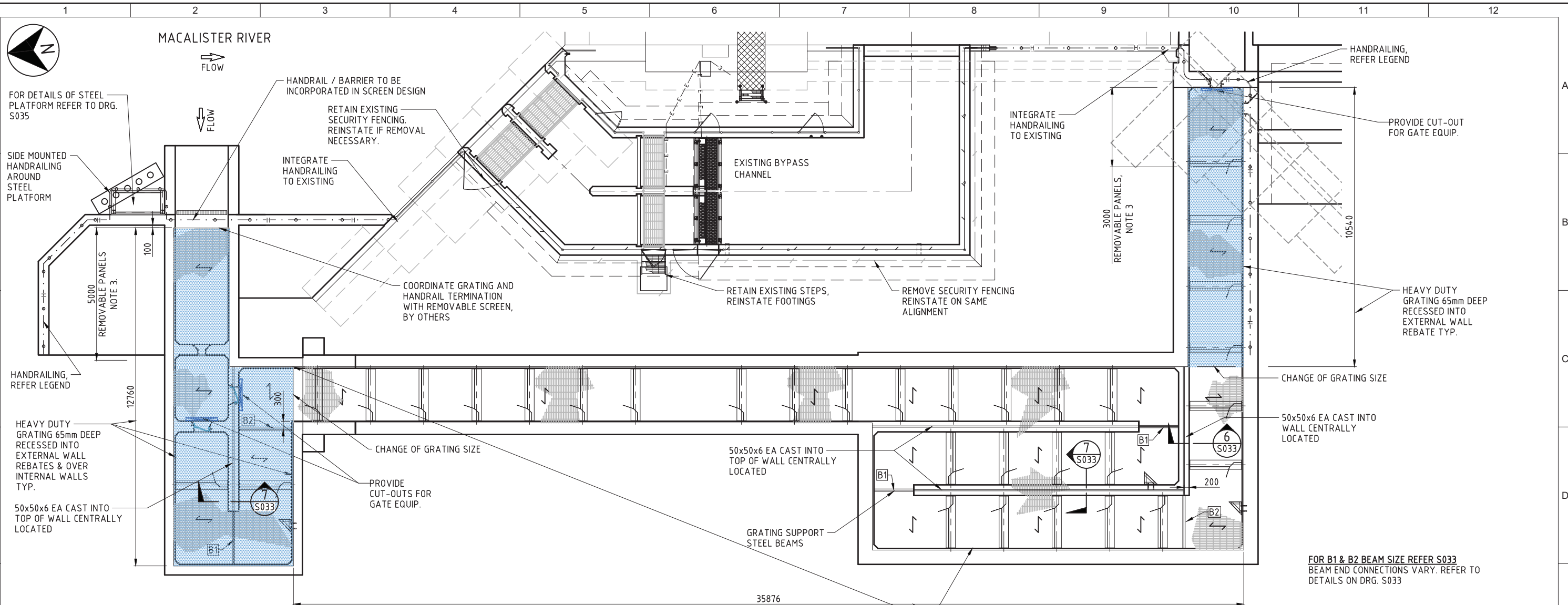


JACOBS PROJECT NUMBER IA292200

CLIENT SOUTHERN RURAL WATER		DRAWING CHECK T. GIBELINI		REVIEWED D. MEEHAN		APPROVED N. KELLEHER	
PROJECT MAFFRA WEIR FISHWAY		DESIGNED N. PAYNTER		DATE 09/09/24		DATE 09/09/24	




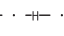
TITLE MAFFRA WEIR FISHWAY ENTRANCE AND EXIT SLOT DETAILS		
PROJECT NUMBER IA292200	SOUTH GIPPSLAND WATER DRAWING NUMBER 292200-S031	REV 0
SCALE AS SHOWN		

DATE: 09/09/2024 9:47:09 AM LOGIN NAME: GIBELINI, TONY LOCATION: C:\user\gibelin\appdata\local\project\maffra_weir\dwg\090924-0000-SC-DRG-S031.dwg



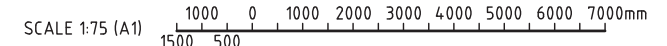
PLAN
SCALE 1:75 (A1)

LEGEND:

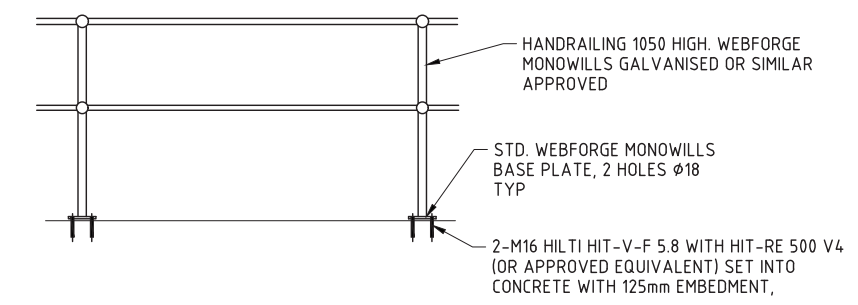
-  LIGHT DUTY GRATING WELDLOK A30-505 OR APPROVED EQUIVALENT - DESIGNED TO MAXIMUM SAFE UDL OF 5.0kPa
-  HEAVY DUTY GRATING WELDLOK A30-655 OR APPROVED EQUIVALENT - DESIGNED TO MAXIMUM SAFE UDL OF 7.5kPa AS NOTED IN PLAN. REFER NOTE 7.
-  SPAN DIRECTION
-  HANDRAILING 1050 HIGH. WEBFORGE MONOWILLS GALVANISED OR SIMILAR APPROVED. KICK PLATES NOT REQUIRED. USE "D" CLOSURES AT ENDS AND INTEGRATE WITH CONTINUOUS RAILING AT CORNERS

NOTES:

1. FOR GENERAL NOTES REFER TO DRG. G002.
2. CONTRACTOR SHALL CHECK DESIGN DIMENSIONS AND DETAILS ON SITE PRIOR TO FABRICATION.
3. WALKWAY GRATING PANELS AT FISHWAY ENTRANCE & EXIT TO BE PROVIDED WITH REBATED LIFTING POINTS.
4. ALL WALKWAY GRATING TO BE SECURELY FIXED TO THE CONCRETE OR STEEL STRUCTURE USING APPROVED FIXINGS.
5. GAPS BETWEEN HANDRAILING ENDS SHALL NOT EXCEED 100mm.
6. ALL GRATING AND STEEL WORK TO BE H.D. GALVANISED.
7. ALL GANTRIES SHALL BE SUPPORTED ON LOAD DISTRIBUTION BASE PLATES TO ENSURE MAXIMUM 7.5kPa LOADING ON HEAVY DUTY GRATING. GANTRIES SHALL NOT BE USED ON LIGHT DUTY GRATINGS.



ISSUED FOR CONSTRUCTION



TYPICAL 1050 HIGH HANDRAILING ELEVATION
SCALE 1:20 (A1)

REV	DATE	DRN	CHK	DESIGN	DESIGN	REV'D	APP'D	REVISION
0	09/09/24	GN	TG	NP	AS	DM	NK	ISSUED FOR CONSTRUCTION

THIS DOCUMENT IS THE PROPERTY OF SOUTHERN RURAL WATER. USE OR COPYING OF THE DOCUMENT IN WHOLE OR IN PART WITHOUT THE WRITTEN PERMISSION OF SOUTHERN RURAL WATER CONSTITUTES AN INFRINGEMENT OF COPYRIGHT.



CLIENT SOUTHERN RURAL WATER		PROJECT MAFFRA WEIR FISHWAY	
DRAWN G. NEWTON	DRAWING CHECK T. GIBELINI	REVIEWED D. MEEHAN	APPROVED N. KELLEHER
DESIGNED N. PAYNTER	DESIGN REVIEW A. SINGHA	DATE 09/09/24	DATE 09/09/24

TITLE MAFFRA WEIR FISHWAY WALKWAY GRATING, GUARDRAILING & FENCING		
PROJECT NUMBER IA292200	SOUTH GIPPSLAND WATER DRAWING NUMBER 292200-S032	REV 0
SCALE AS SHOWN		

DATE: 09/09/24 3:20:54 PM LOGIN NAME: GIBELINI, TONY LOCATION: C:\user\gibelin\appdata\local\project\maffra\maffra_s032.dwg



MAFFRA WEIR
(GATES AND
SUPERSTRUCTURE NOT
SHOWN FOR CLARITY)

MACALISTER RIVER



REMOVE KNIFE EDGE WEIR
BY RAISING WITH RC
KERB

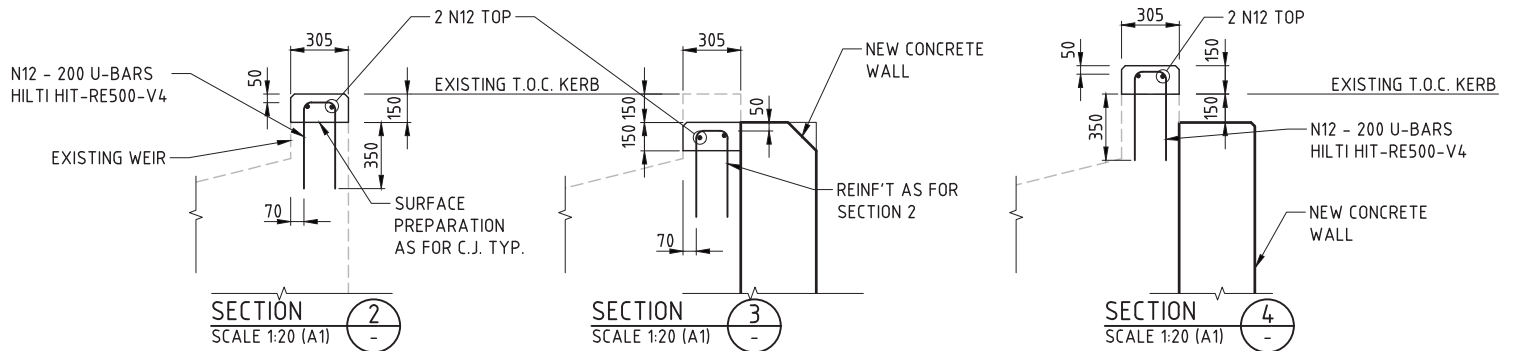
EXISTING WEIR

REMOVE KNIFE EDGE WEIR
BY RAISING WITH RC
KERB

PROPOSED FLOW
STRAIGHTENING WALL

NEW WEIR OPENING
WITH R.C. KERB ADDED

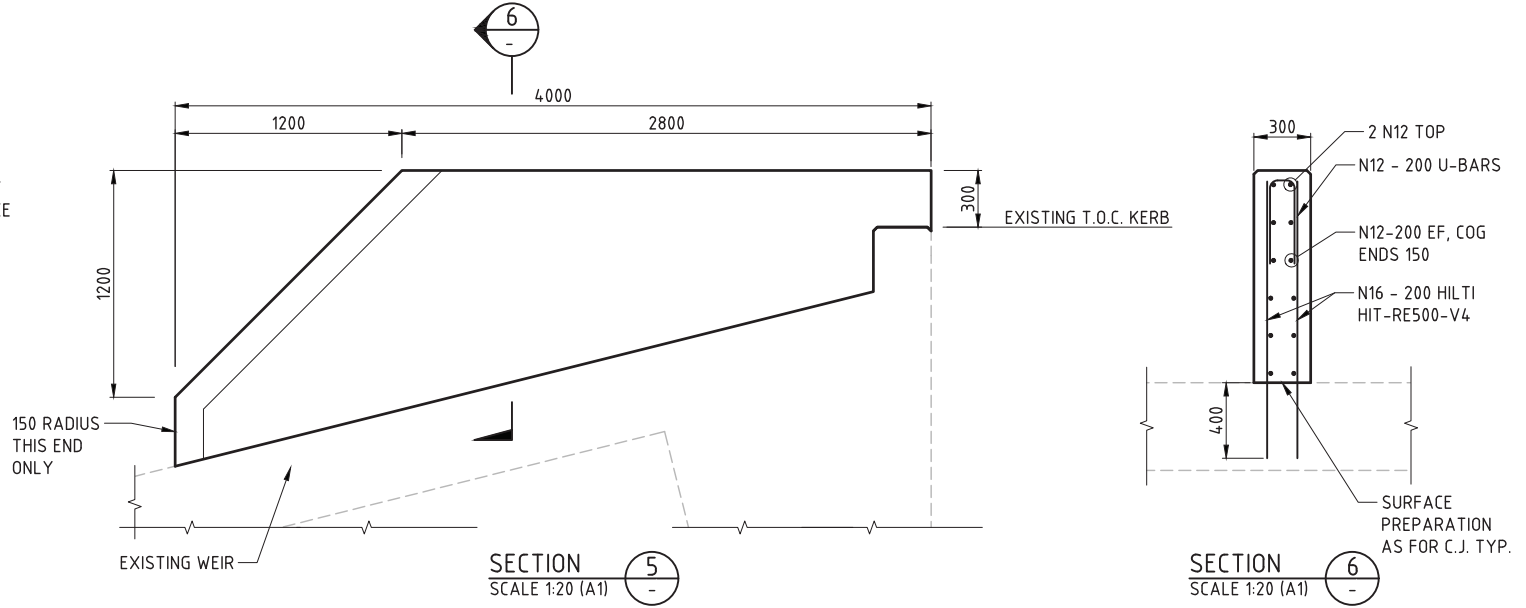
PLAN
SCALE 1:100 (A1)



SECTION 2
SCALE 1:20 (A1)

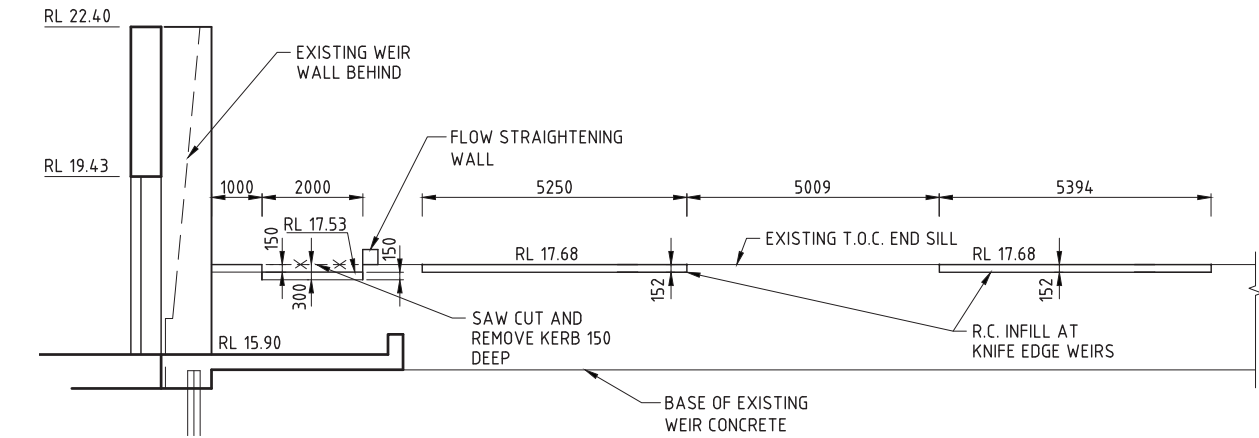
SECTION 3
SCALE 1:20 (A1)

SECTION 4
SCALE 1:20 (A1)

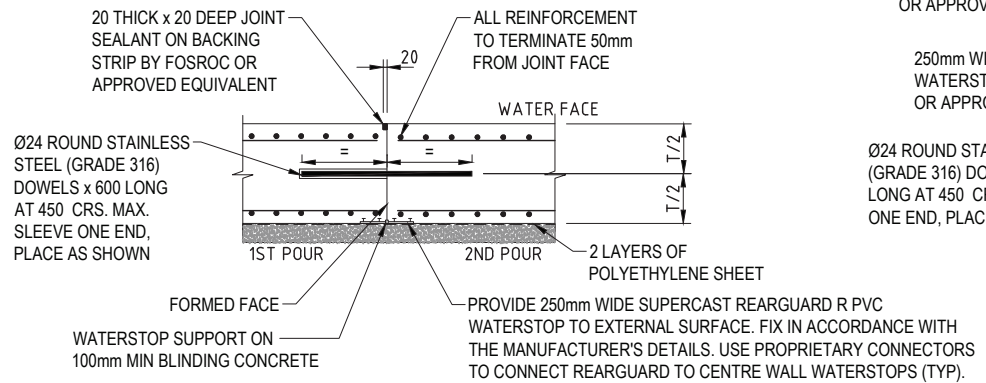


SECTION 5
SCALE 1:20 (A1)

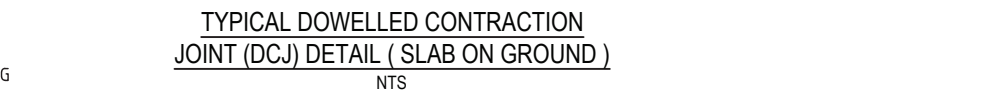
SECTION 6
SCALE 1:20 (A1)



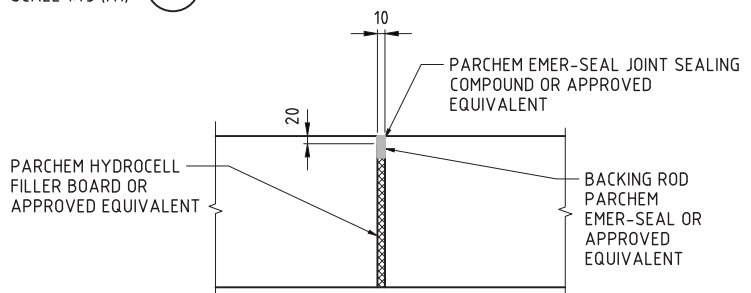
SECTION 1
SCALE 1:75 (A1)



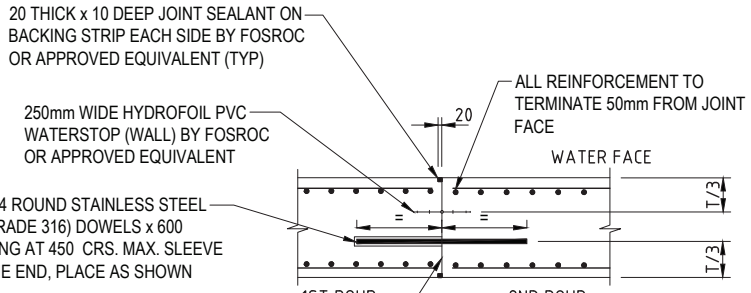
TYPICAL DOWELLED CONTRACTION
JOINT (DCJ) DETAIL (WALLS)
NTS



TYPICAL DOWELLED CONTRACTION
JOINT (DCJ) DETAIL (SLAB ON GROUND)
NTS

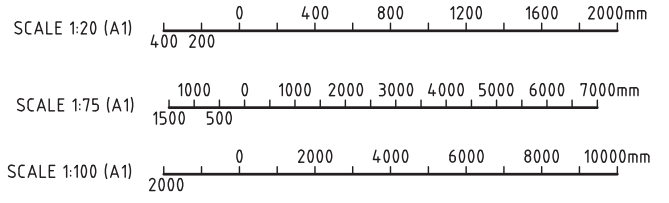


TYPICAL ISOLATION JOINT DETAIL
SCALE 1:10



TYPICAL DOWELLED CONTRACTION
JOINT (DCJ) DETAIL (WALLS)
NTS

NOTES:
1. REINFORCING STARTER BARS TO BE GROUTED
USING HILTI HIT-RE500-V4 (100 YEARS)



ISSUED FOR CONSTRUCTION

0	09/09/24	GN	TG	NP/SP	AS	DM	NK	ISSUED FOR CONSTRUCTION
REV	DATE	DRN	DRG. CHECK	DESIGN	DESIGN REV.	REV'D	APPD	REVISION

THIS DOCUMENT IS THE PROPERTY OF SOUTHERN RURAL WATER. USE OR COPYING OF THE DOCUMENT IN WHOLE OR IN PART WITHOUT THE WRITTEN PERMISSION OF SOUTHERN RURAL WATER CONSTITUTES AN INFRINGEMENT OF COPYRIGHT.



CLIENT SOUTHERN RURAL WATER			
PROJECT MAFFRA WEIR FISHWAY			
DRAWN G. NEWTON	DRAWING CHECK T. GIBELINI	REVIEWED D. MEEHAN	APPROVED N. KELLEHER
DESIGNED N. PAYNTER/PIROUZFARD	DESIGN REVIEW A. SINGHA	DATE 09/09/24	DATE 09/09/24

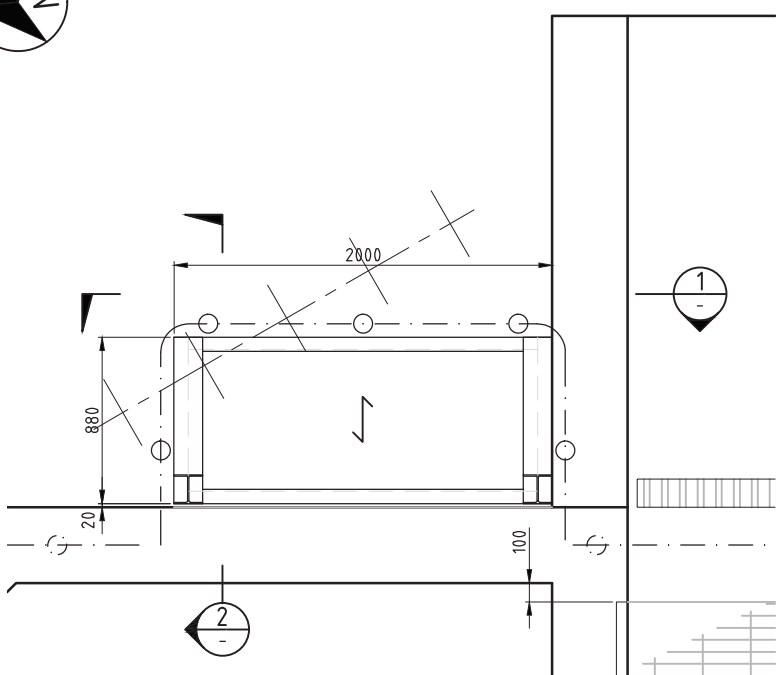
TITLE MAFFRA WEIR FISHWAY WEIR SILL MODIFICATIONS		
PROJECT NUMBER IA292200	SOUTH GIPPSLAND WATER DRAWING NUMBER 292200-S034	REV 0
SCALE AS SHOWN		

DATE: 09/09/2024 3:08:46 PM LOGIN NAME: GIBELINI, TONY LOCATION: C:\user\gibelin\appdata\local\project\maffra\maffra_s034.dwg

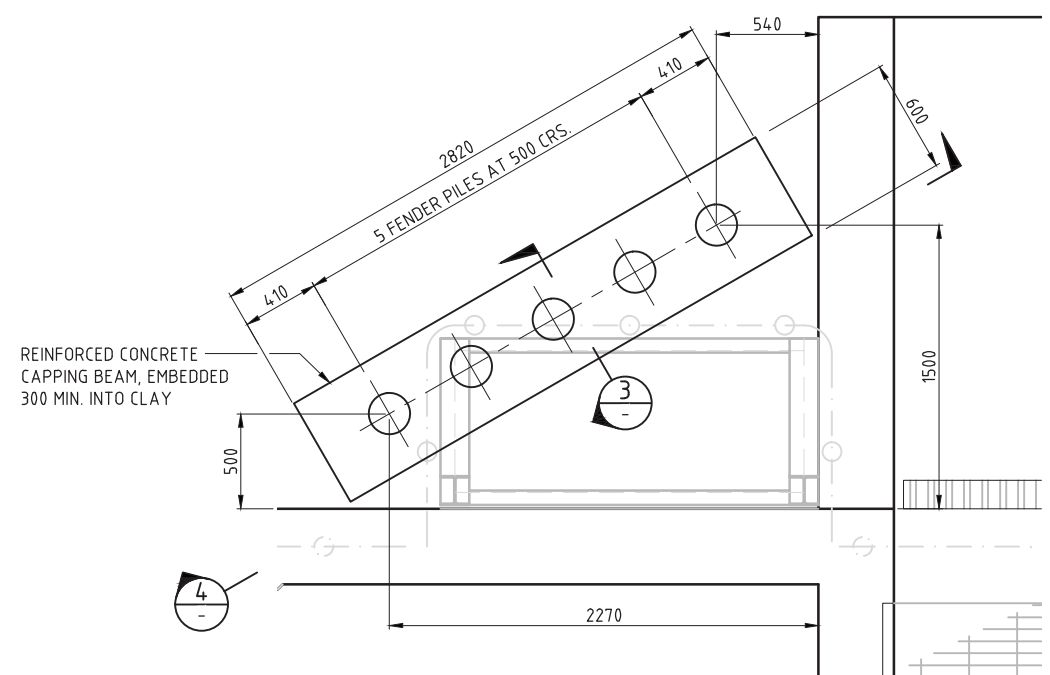


MACALISTER RIVER

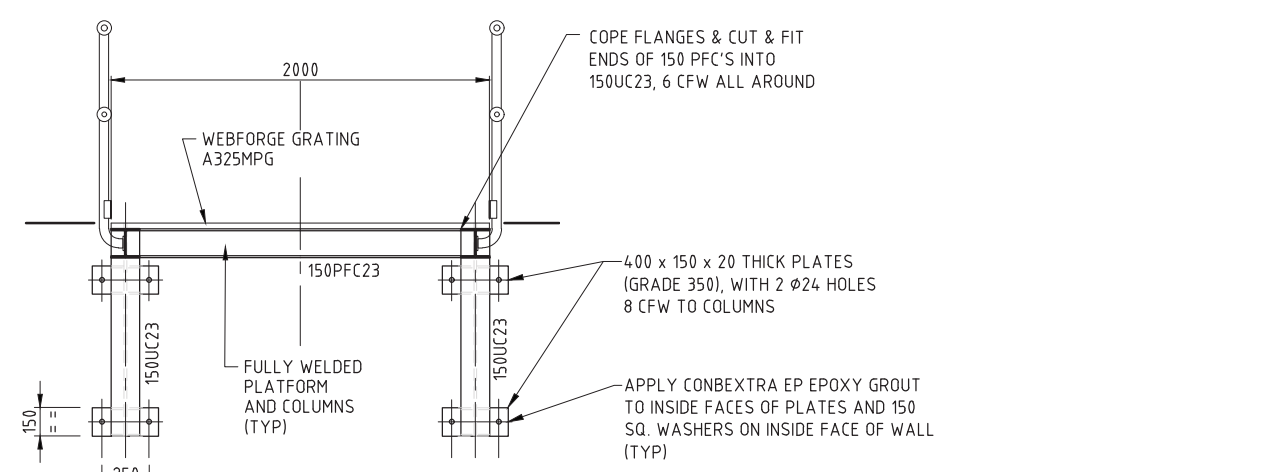
- NOTES:**
- FOR GENERAL NOTES REFER TO DRG. G002.
 - CONTRACTOR SHALL CHECK DESIGN DIMENSIONS AND DETAILS ON SITE PRIOR TO FABRICATION.
 - WALKWAY GRATING SHALL BE PROVIDED WITH PROPRIETARY FIXINGS.
 - GAPS BETWEEN HANDRAILING ENDS SHALL NOT EXCEED 100mm.
 - ALL GRATING AND STEELWORK TO BE H.D.GALVANISED.



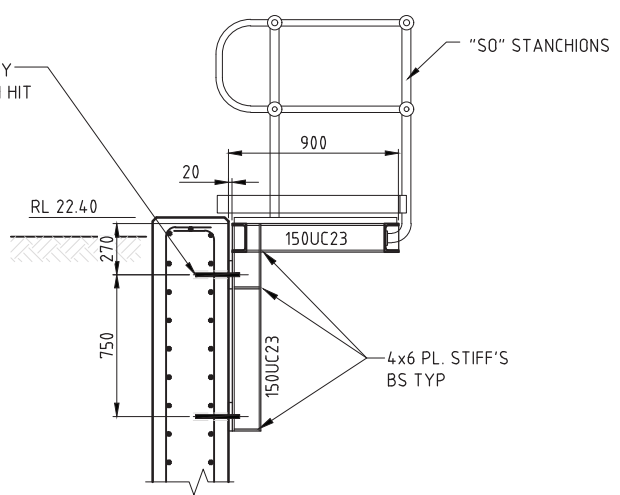
PLATFORM PLAN
SCALE 1:20 (A1)



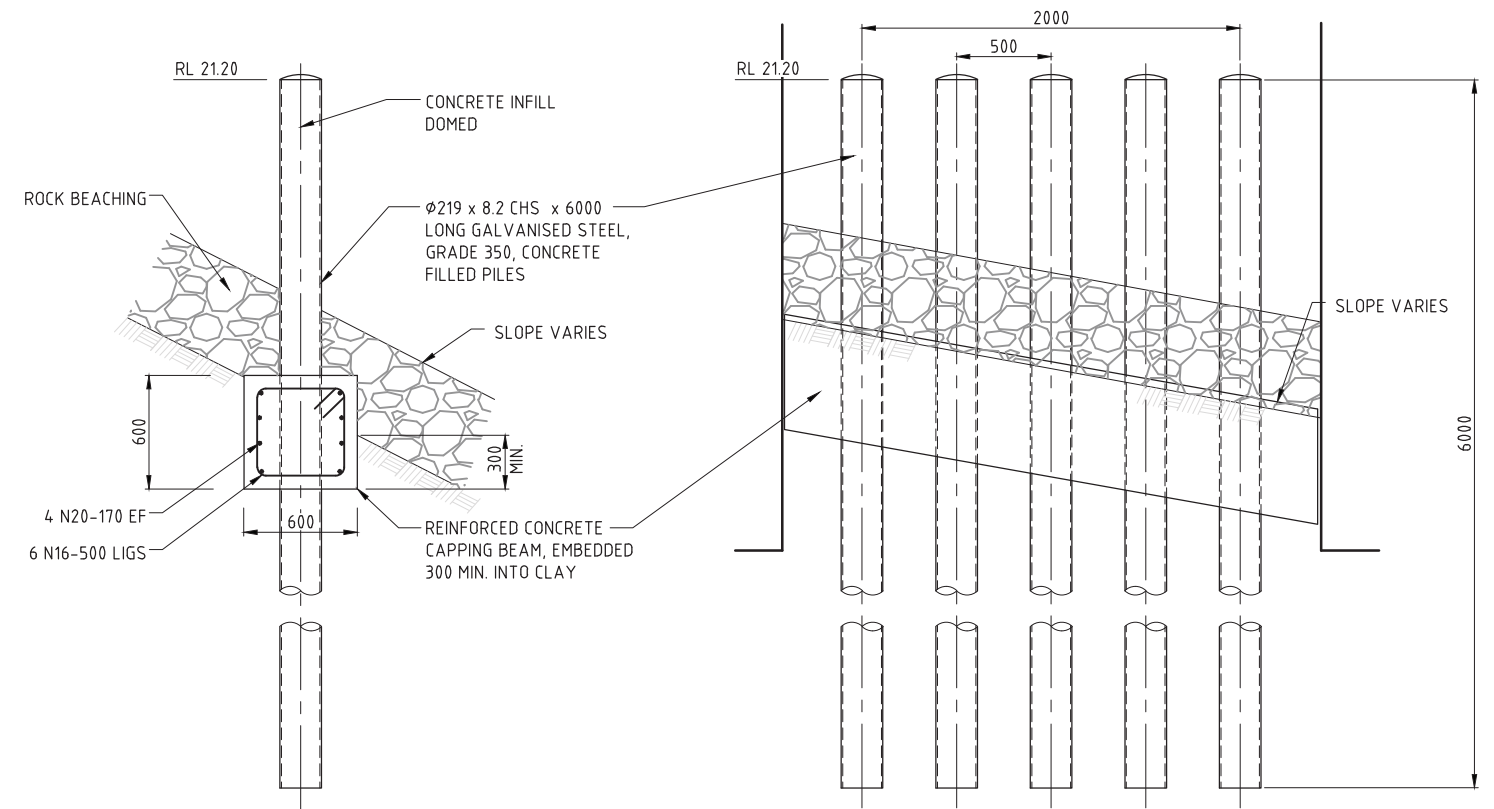
FENDER PLAN
SCALE 1:20 (A1)



SECTION 1
SCALE 1:20 (A1)

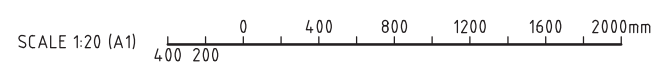


SECTION 2
SCALE 1:20 (A1)



SECTION 3
SCALE 1:20 (A1)

SECTION 4
SCALE 1:20 (A1)



ISSUED FOR CONSTRUCTION

REV	DATE	DRN	TG	SP	AS	DM	NK	ISSUED FOR CONSTRUCTION
0	09/09/24	GN	TG	SP	AS	DM	NK	ISSUED FOR CONSTRUCTION
		DRG. CHECK	DESIGN	DESIGN REV.	DM	PM		REVISION

THIS DOCUMENT IS THE PROPERTY OF SOUTHERN RURAL WATER. USE OR COPYING OF THE DOCUMENT IN WHOLE OR IN PART WITHOUT THE WRITTEN PERMISSION OF SOUTHERN RURAL WATER CONSTITUTES AN INFRINGEMENT OF COPYRIGHT.



Jacobs
 ABN 37 001 024 095 and ACN 001 024 095
 Jacobs Group (Australia) Pty Ltd
 11th Floor, 452 Flinders Street
 MELBOURNE, VIC 3000
 AUSTRALIA
 Tel: +61 3 9668 3000
 Fax: +61 3 9668 3001
 Web: www.jacobs.com
 JACOBS PROJECT NUMBER IA292200

CLIENT SOUTHERN RURAL WATER			
PROJECT MAFFRA WEIR FISHWAY			
DRAWN G. NEWTON	DRAWING CHECK T. GIBELINI	DESIGN MANAGER D. MEEHAN	PROJECT MANAGER N. KELLEHER
DESIGNED N. PAYNTER	DESIGN REVIEW A. SINGHA	DATE 09/09/24	DATE 09/09/24

TITLE MAFFRA WEIR FISHWAY METALWORK DETAILS		
PROJECT NUMBER IA292200	SOUTH GIPPSLAND WATER DRAWING NUMBER 292200-S035	REV 0
SCALE AS SHOWN		

DATE: 9/09/2024 12:09:44 PM LOGIN NAME: VALENZUELA LEITON, ALEX LOCATION: C:\Users\valenzuela\appdata\local\projectcache\jacobs_anz_0\07054240\IA292200-0000-SC-DRG-S035.dwg

